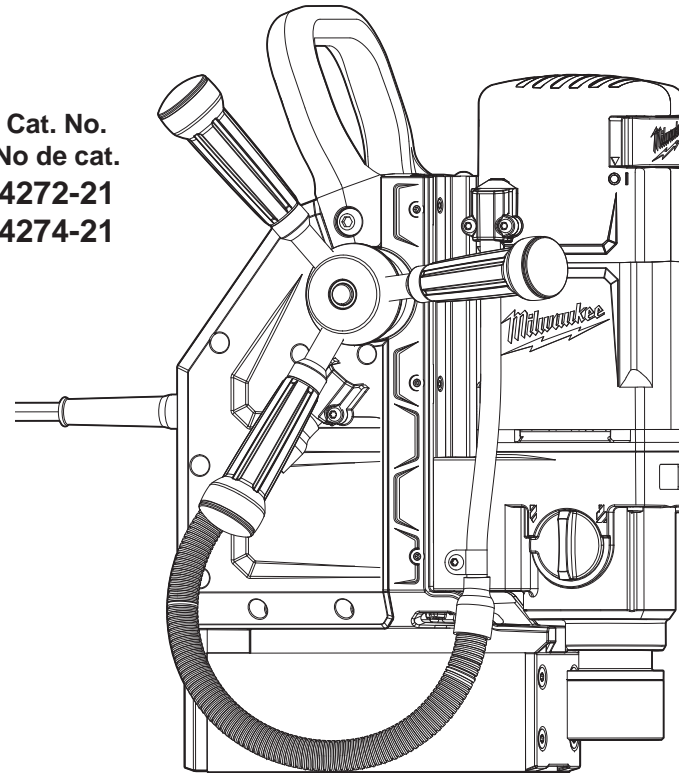


Milwaukee®**OPERATOR'S MANUAL
MANUEL de L'UTILISATEUR
MANUAL del OPERADOR****Cat. No.
No de cat.
4272-21
4274-21****1-5/8" MAGNETIC DRILLS
PERCEUSE MAGNÉTIQUE DE 41 mm (1-5/8")
TALADROS MAGNÉTICOS DE 41 mm (1-5/8")**

TO REDUCE THE RISK OF INJURY, USER MUST READ AND UNDERSTAND OPERATOR'S MANUAL.

AFIN DE RÉDUIRE LE RISQUE DE BLESSURES, L'UTILISATEUR DOIT LIRE ET BIEN COMPRENDRE LE MANUEL DE L'UTILISATEUR.

PARA REDUCIR EL RIESGO DE LESIONES, EL USUARIO DEBE LEER Y ENTENDER EL MANUAL DEL OPERADOR.

GENERAL POWER TOOL SAFETY WARNINGS

WARNING Read all safety warnings, instructions, illustrations and specifications provided with this power tool. Failure to follow all instructions listed below may result in electric shock, fire and/or serious injury. Save all warnings and instructions for future reference. The term "power tool" in the warnings refers to your mains-operated (corded) power tool or battery-operated (cordless) power tool.

WORK AREA SAFETY

- Keep work area clean and well lit. Cluttered or dark areas invite accidents.
- Do not operate power tools in explosive atmospheres, such as in the presence of flammable liquids, gases or dust. Power tools create sparks which may ignite the dust or fumes.
- Keep children and bystanders away while operating a power tool. Distractions can cause you to lose control.

ELECTRICAL SAFETY

- Power tool plugs must match the outlet. Never modify the plug in any way. Do not use any adapter plugs with earthed (grounded) power tools. Unmodified plugs and matching outlets will reduce risk of electric shock.
- Avoid body contact with earthed or grounded surfaces, such as pipes, radiators, ranges and refrigerators. There is an increased risk of electric shock if your body is earthed or grounded.
- Do not expose power tools to rain or wet conditions. Water entering a power tool will increase the risk of electric shock.
- Do not abuse the cord. Never use the cord for carrying, pulling or unplugging the power tool. Keep cord away from heat, oil, sharp edges or moving parts. Damaged or entangled cords increase the risk of electric shock.
- When operating a power tool outdoors, use an extension cord suitable for outdoor use. Use of a cord suitable for outdoor use reduces the risk of electric shock.
- If operating a power tool in a damp location is unavoidable, use a ground fault circuit interrupter (GFCI) protected supply. Use of an GFCI reduces the risk of electric shock.

PERSONAL SAFETY

- Stay alert, watch what you are doing and use common sense when operating a power tool. Do not use a power tool while you are tired or under the influence of drugs, alcohol or medication. A moment of inattention while operating power tools may result in serious personal injury.
- Use personal protective equipment. Always wear eye protection. Protective equipment such as a dust mask, non-skid safety shoes, hard hat or hearing protection used for appropriate conditions will reduce personal injuries.
- Prevent unintentional starting. Ensure the switch is in the off-position before connecting to power source and/or battery pack, picking up or carrying the tool. Carrying power tools with your finger on the switch or energizing power tools that have the switch on invites accidents.
- Remove any adjusting key or wrench before turning the power tool on. A wrench or a key left attached to a rotating part of the power tool may result in personal injury.

- Do not overreach. Keep proper footing and balance at all times. This enables better control of the power tool in unexpected situations.
- Dress properly. Do not wear loose clothing or jewelry. Keep your hair and clothing away from moving parts. Loose clothes, jewelry or long hair can be caught in moving parts.
- If devices are provided for the connection of dust extraction and collection facilities, ensure these are connected and properly used. Use of dust collection can reduce dust-related hazards.
- Do not let familiarity gained from frequent use of tools allow you to become complacent and ignore tool safety principles. A careless action can cause severe injury within a fraction of a second.

POWER TOOL USE AND CARE

- Do not force the power tool. Use the correct power tool for your application. The correct power tool will do the job better and safer at the rate for which it was designed.
- Do not use the power tool if the switch does not turn it on and off. Any power tool that cannot be controlled with the switch is dangerous and must be repaired.
- Disconnect the plug from the power source and/or remove the battery pack, if detachable, from the power tool before making any adjustments, changing accessories, or storing power tools. Such preventive safety measures reduce the risk of starting the power tool accidentally.
- Store idle power tools out of the reach of children and do not allow persons unfamiliar with the power tool or these instructions to operate the power tool. Power tools are dangerous in the hands of untrained users.
- Maintain power tools and accessories. Check for misalignment or binding of moving parts, breakage of parts and any other condition that may affect the power tool's operation. If damaged, have the power tool repaired before use. Many accidents are caused by poorly maintained power tools.
- Keep cutting tools sharp and clean. Properly maintained cutting tools with sharp cutting edges are less likely to bind and are easier to control.
- Use the power tool, accessories and tool bits etc. in accordance with these instructions, taking into account the working conditions and the work to be performed. Use of the power tool for operations different from those intended could result in a hazardous situation.
- Keep handles and grasping surfaces dry, clean and free from oil and grease. Slippery handles and grasping surfaces do not allow for safe handling and control of the tool in unexpected situations.

SERVICE

- Have your power tool serviced by a qualified repair person using only identical replacement parts. This will ensure that the safety of the power tool is maintained.

SPECIFIC SAFETY RULES

- Always use safety chain. Mounting can release.
- DANGER! To reduce the risk of injury, always keep hands, gloves, rags, clothing, etc. away from moving parts and chips. Do not try to remove chips while the cutter is rotating. Chips are sharp and can pull objects into moving parts.
- Clean the surface before attaching the drill stand to the work surface. Paint, rust, scale, or uneven surfaces decrease the holding strength of the magnet. Chips, burrs, dirt and other foreign matter on the surface of the magnet base will also decrease holding power.
- Do not attach magnetic base to nonmagnetic grades of stainless steel. The magnet base WILL NOT hold. The 4272-21 drill attaches magnetically to 3/8" or thicker ferrous stock, and the 4274-21 to 1/4" or thicker ferrous stock. Do not use on stock less than 1/4".
- Hold power tool by insulated gripping surfaces, when performing an operation where the cutting accessory may contact hidden wiring or its own cord. Cutting accessory contacting a "live" wire may make exposed metal parts of the power tool "live" and could give the operator an electric shock.
- Safety Strap
 - Do not use near acids or bleaching agents.
 - Do not use for overhead lifting.
 - Do not use strap if webbing is cut.
 - Webbing must be protected from sharp edges.
 - All hardware must be in line with direction of pull for rated capacity.
- Maintain labels and nameplates. These carry important information. If unreadable or missing, contact a MILWAUKEE service facility for a free replacement.
- WARNING Some dust created by power sanding, sawing, grinding, drilling, and other construction activities contains chemicals known to cause cancer, birth defects or other reproductive harm. Some examples of these chemicals are:
 - lead from lead-based paint
 - crystalline silica from bricks and cement and other masonry products, and
 - arsenic and chromium from chemically-treated lumber.

Your risk from these exposures varies, depending on how often you do this type of work. To reduce your exposure to these chemicals: work in a well ventilated area, and work with approved safety equipment, such as those dust masks that are specially designed to filter out microscopic particles.

SYMBOLOLOGY

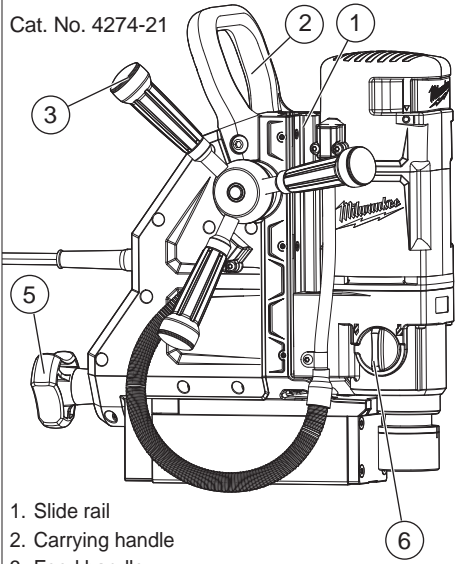
	Double Insulated
	Volts
	Alternating Current
	Amps
n_0 xxx min. ⁻¹	No Load Revolutions per Minute (RPM)
	Underwriters Laboratories, Inc. United States and Canada
	DANGER! To reduce the risk of injury, always keep hands, gloves, rags, clothing, etc. away from moving parts and chips. Do not try to remove chips while the cutter is rotating. Chips are sharp and can pull objects into moving parts.

SPECIFICATIONS

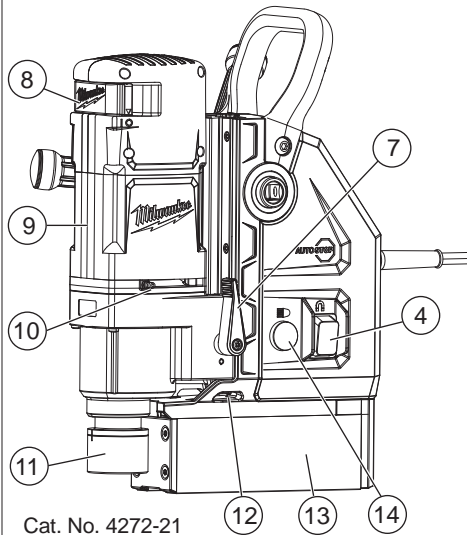
Cat. No.	Magnet	Volts a.c.	Amps	No Load RPM	*Twist Drill	HSS Cutter
4272-21	Electro	120	13	High 730 Low 475	1/2"	1-5/8"
4274-21	Permanent	120	13	High 730 Low 475	1/2"	1-5/8"

* Requires use of 1/2" drill chuck adapter, see "Accessories."

FUNCTIONAL DESCRIPTION



- 1. Slide rail
- 2. Carrying handle
- 3. Feed handle
- 4. Magnet activation switch (4272-21 only)
- 5. Magnet activation knob (4274-21 only)
- 6. Speed selector
- 7. Motor adjustment lever
- 8. On(I) / Off(O) switch
- 9. Drill motor
- 10. Cutting fluid fitting
- 11. Quick-change arbor
- 12. Safety strap bracket (strap not shown)
- 13. Magnetic base
- 14. LED button
- 15. Hand pump and tube (not shown)

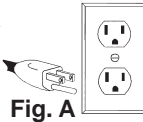


Cat. No. 4272-21

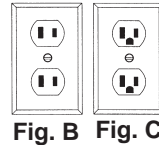
GROUNDING

WARNING Improperly connecting the grounding wire can result in the risk of electric shock. Check with a qualified electrician if you are in doubt as to whether the outlet is properly grounded. Do not modify the plug provided with the tool. Never remove the grounding prong from the plug. Do not use the tool if the cord or plug is damaged. If damaged, have it repaired by a MILWAUKEE service facility before use. If the plug will not fit the outlet, have a proper outlet installed by a qualified electrician.

Grounded Tools: Tools with Three Prong Plugs
Tools marked "Grounding Required" have a three wire cord and three prong grounding plug. The plug must be connected to a properly grounded outlet (See Figure A). If the tool should electrically malfunction or break down, grounding provides a low resistance path to carry electricity away from the user, reducing the risk of electric shock. The grounding prong in the plug is connected through the green wire inside the cord to the grounding system in the tool. The green wire in the cord must be the only wire connected to the tool's grounding system and must never be attached to an electrically "live" terminal. Your tool must be plugged into an appropriate outlet, properly installed and grounded in accordance with all codes and ordinances. The plug and outlet should look like those in Figure A.



Double Insulated Tools: Tools with Two Prong Plugs
Tools marked "Double Insulated" do not require grounding. They have a special double insulation system which satisfies OSHA requirements and complies with the applicable standards of Underwriters Laboratories, Inc., the Canadian Standard Association and the National Electrical Code. Double Insulated tools may be used in either of the 120 volt outlets shown in Figures B and C.



EXTENSION CORDS

Grounded tools require a three wire extension cord. Double insulated tools can use either a two or three wire extension cord. As the distance from the supply outlet increases, you must use a heavier gauge extension cord. Using extension cords with inadequately sized wire causes a serious drop in voltage, resulting in loss of power and possible tool damage. Refer to the table shown to determine the required minimum wire size. The smaller the gauge number of the wire, the greater the capacity of the cord. For example, a 14 gauge cord can carry a higher current than a 16 gauge cord. When using more than one extension cord to make up the total length, be sure each cord contains at least the minimum wire size required. If you are using one extension cord for more than one tool, add the nameplate amperes and use the sum to determine the required minimum wire size.

Guidelines for Using Extension Cords

- If you are using an extension cord outdoors, be sure it is marked with the suffix "W-A" ("W" in Canada) to indicate that it is acceptable for outdoor use.
- Be sure your extension cord is properly wired and in good electrical condition. Always replace a damaged extension cord or have it repaired by a qualified person before using it.
- Protect your extension cords from sharp objects, excessive heat and damp or wet areas.

Nameplate Amperes	Extension Cord Length				
	25'	50'	75'	100'	150'
0 - 2.0	18	18	18	18	16
2.1 - 3.4	18	18	18	16	14
3.5 - 5.0	18	18	16	14	12
5.1 - 7.0	18	16	14	12	12
7.1 - 12.0	16	14	12	10	--
12.1 - 16.0	14	12	10	--	--
16.1 - 20.0	12	10	--	--	--

* Based on limiting the line voltage drop to five volts at 150% of the rated amperes.

READ AND SAVE ALL INSTRUCTIONS FOR FUTURE USE.

ASSEMBLY

WARNING To reduce the risk of injury, always unplug tool before attaching or removing accessories or making adjustments. Use only specifically recommended accessories. Others may be hazardous.

Attaching Feed Handle

1. To attach, line up the anvil, press the center button and slide the handle into place on the desired side of the tool.
 2. To remove, press the center button and pull the handle away from the center.
- Do not use a wrench, pipe, or any other lever in place of the feed handle.

Motor adjustment lever

The motor adjustment lever is used to raise and lower the motor on the slide rail. Always hold the motor securely before loosening the adjustment lever.

OPERATION

WARNING To reduce the risk of injury, wear safety goggles or glasses with side shields.

Typical Operation

1. Check the work surface to make sure it is clean and free of foreign materials. Paint, rust, scale or uneven surfaces decrease the holding strength of the magnet. Chips, burrs, dirt and other foreign materials on the surface of the magnetic base will also decrease holding power. Use a smooth, flat file to keep the magnet clean and free of nicks. The 4272-21 drill attaches to 3/8" or thicker ferrous stock, and the 4274-21 to 1/4" or thicker ferrous stock. Do not use on stock less than 1/4". The magnetic base WILL NOT hold on nonmagnetic grades of stainless steel.
 2. To install/remove cutter:
 - A. Unplug tool.
 - B. Raise the drill motor to its highest position on the slide rail.
 - C. Twist the quick-change arbor. Insert the cutter into the arbor and release collar. Tug on cutter to ensure it is secure. Cutter should be fully seated into spindle.
 - D. Reverse procedure to remove cutter.
- NOTE:** Do not remove cutter unless slug is removed. Slug may eject unexpectedly. Avoid contact with cutter tips. Periodically inspect the cutter tips for loose or damaged tips.

NOTE: If the cutter does not release from the arbor when the collar is turned, use a locking pliers to grasp the cutter above the cutter flutes. Holding the collar securely in one hand, rotate the pliers clockwise to release the cutter from the arbor.

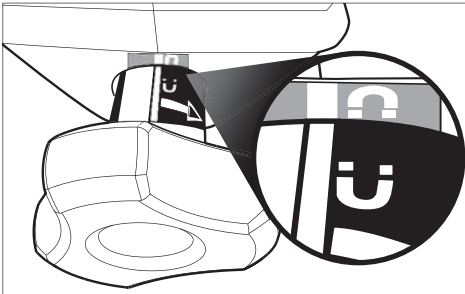
WARNING To reduce the risk of injury, do not hold workpiece by hand.

- Select High Speed or Low Speed , depending on your application.

WARNING

- Do not use cutting fluid in an overhead or any other position that allows cutting fluid to enter motor or switch enclosure.
- Wet connections are shock hazards. Prevent cutting fluid from traveling along cord and contacting the outlet, extension cord connections or tool plug. Each time tool is plugged in, elevate extension cord or gang box connections and arrange a drip loop. If plug or connections get wet, turn power off to outlet before unplugging tool.

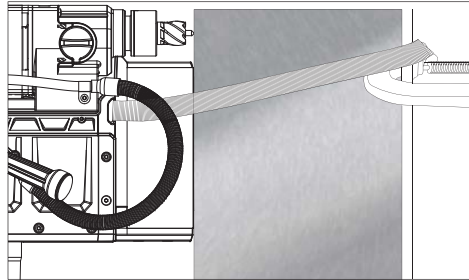
- For the 4272-21, position the tool so the center pin is directly over the desired cutting location. Push the magnetic activation switch to engage the magnet. The drill will not operate unless the magnet is engaged.
- For the 4274-21, position the tool so the center pin is directly over the desired cutting location. Rotate the magnet knob to engage the magnet. The magnet icons will align . The drill will not operate unless the magnet is engaged.



WARNING To reduce the risk of injury, always use a safety strap on vertical, overhead, and pipe applications. Mounting can release.

- Use a safety strap on vertical, overhead, and pipe applications.
 - Route the safety strap, through the lower slots, and wrap it tightly around a solid, rigid structure. Make sure the strap is not twisted.

- Snap the safety strap snaphooks together. Eliminate any slack in the strap.
- When using on a vertical surface, secure the safety strap with a c-clamp or similar device. This will hold the strap in place and prevent the tool from sliding down the vertical surface. Do not clamp to the strap. This may damage the strap and cause it to break.



WARNING Do not use cutting fluid in an overhead or any other position that allows cutting fluid to enter motor or switch enclosure.

- Plug in tool.
- With the on(I) / off(O) switch in the off(O) position, place the rubber tube over the cutting fluid fitting. Inject cutting fluid into the rubber tube using the supplied hand pump. Keep hand pump and tube away from moving parts. Lubricate well before starting, and throughout the cutting operation as needed. Failure to lubricate properly will cause cutter damage. The use of HAWG WASH® cutting fluid is recommended for long life of these cutters. The operator is responsible for the application of lubricants other than HAWG WASH® cutting fluid. In overhead or vertical cutting applications, do not use cutting fluids. Use only lubricant pastes or sprays recommended for high speed cutting. Do not allow lubricant pastes and sprays to enter tool.

WARNING To reduce the risk of injury, always keep hands, gloves, rags, clothing, etc. away from moving parts and chips. Do not try to remove chips while the cutter is rotating. Chips are sharp and can pull objects into moving parts.

- Start the drill motor by pulling the on(I) / off(O) switch out, by both sides, to the on(I) position. The drill will not operate unless the magnet is engaged.



WARNING Excessive force on the feed handle will break magnet free.

- Even large bits only require a small amount of pressure on the feed handle. When feeding the cutter into the material, apply only enough force to produce a curled chip. Applying too little force will result in small broken chips and increased cutting time. Applying too much force will cause overheating of the cutter resulting in short cutter life. Overheating of the cutter can be noticed when cutter and chips turn brown or blue. Excessive force can cause the cutter to slow down to a point where cutting time will increase. The use of cutting lubricants will reduce cutting heat and increase cutter life. Use less feed pressure when slotting or notching because there is less support for the cutting edges in these situations.
- Keep constant pressure throughout the entire operation to prevent chips and burrs from falling under the cutting edges. Cutting debris under the cutter can make cutting difficult or impossible. Continue lubricating as necessary.
- When the cut is complete, withdraw the cutter while the spindle is still rotating.
- Stop the drill motor by pushing in the on(I) / off(O) switch.
- When the spindle has stopped rotating, use a pliers to remove cutting debris and chips from the cutter and spindle. Use care to avoid damaging the cutter teeth.
- The center pin is spring loaded. Provide protection from ejected slug for people and property below cutting area.
- Firmly grip the tool to disengaging the magnet. For the 4272-21, push the magnet switch to disengage. For the 4274-21, rotate the magnet knob.
- When drilling on pipe using the 4274-21, use the accessory pipe adaptor 48-10-0130 and the safety strap.

MAINTENANCE

WARNING To reduce the risk of injury, always unplug your tool before performing any maintenance. Never disassemble the tool or try to do any rewiring on the tool's electrical system. Contact a MILWAUKEE service facility for ALL repairs.

Maintaining Tool

Keep your tool in good repair by adopting a regular maintenance program. Before use, examine the general condition of your tool. Inspect guards, switches, tool cord set and extension cord for damage. Check for loose screws, misalignment, binding of moving parts, improper mounting, broken parts and any other condition that may affect its safe operation. If abnormal noise or vibration occurs, turn the tool off immediately and have the problem corrected before further use. Do not use a damaged tool. Tag damaged tools "DO NOT USE" until repaired (see "Repairs"). Under normal conditions, relubrication is not necessary until the motor brushes need to be replaced. After six months to one year, depending on use, return your tool to the nearest MILWAUKEE service facility for the following:

- Lubrication
- Brush inspection and replacement
- Mechanical inspection and cleaning (gears, spindles, bearings, housing, etc.)
- Electrical inspection (switch, cord, armature, etc.)
- Testing to assure proper mechanical and electrical operation

WARNING To reduce the risk of injury, electric shock and damage to the tool, never immerse your tool in liquid or allow a liquid to flow inside the tool.

Cleaning

Clean dust and debris from vents. Keep the tool handles clean, dry and free of oil or grease. Use only mild soap and a damp cloth to clean your tool since certain cleaning agents and solvents are harmful to plastics and other insulated parts. Some of these include: gasoline, turpentine, lacquer thinner, paint thinner, chlorinated cleaning solvents, ammonia and household detergents containing ammonia. Never use flammable or combustible solvents around tools.

Repairs

If your tool is damaged, return the entire tool to the nearest service center.

ACCESSORIES

WARNING To reduce the risk of injury, always unplug the tool before attaching or removing accessories. Use only specifically recommended accessories. Others may be hazardous.

For a complete listing of accessories refer to your MILWAUKEE catalog or go online to www.milwaukeetool.com. To obtain a catalog, contact your local distributor or service center.

LIMITED WARRANTY - USA AND CANADA

Every MILWAUKEE power tool (including cordless product – tool, battery pack(s) - see separate & distinct CORDLESS BATTERY PACK LIMITED WARRANTY statements & battery charger and Work Lights*) is warranted to the original purchaser only to be free from defects in material and workmanship. Subject to certain exceptions, MILWAUKEE will repair or replace any part on an electric power tool which, after examination, is determined by MILWAUKEE to be defective in material or workmanship for a period of five (5) years* after the date of purchase unless otherwise noted. Return of the power tool to a MILWAUKEE factory Service Center location or MILWAUKEE Authorized Service Station, freight prepaid and insured, is required. A copy of the proof of purchase should be included with the return product. This warranty does not apply to damage that MILWAUKEE determines to be from repairs made or attempted by anyone other than MILWAUKEE authorized personnel, misuse, alterations, abuse, normal wear and tear, lack of maintenance, or accidents.

*The warranty period for, Job Site Radios, M12™ Power Port, M18™ Power Source, Jobsite Fan and Trade Titan™ Industrial Work Carts is one (1) year from the date of purchase. The warranty period for a LED Work Light and LED Upgrade Bulb is a limited LIFETIME warranty to the original purchaser only, if during normal use the LED bulb fails the Work Light or Upgrade Bulb will be replaced free of charge.

*This warranty does not cover Air Nailers & Stapler, Airless Paint Sprayer, Cordless Battery Packs, Gasoline Driven Portable Power Generators, Hand Tools, Hoist – Electric, Lever & Hand Chain, M12™ Heated Jackets, Reconditioned product and Test & Measurement products. There are separate and distinct warranties available for these products.

Warranty Registration is not necessary to obtain the applicable warranty on a MILWAUKEE power tool product. The manufacturing date of the product will be used to determine the warranty period if no proof of purchase is provided at the time warranty service is requested.

ACCEPTANCE OF THE EXCLUSIVE REPAIR AND REPLACEMENT REMEDIES DESCRIBED HEREIN IS A CONDITION OF THE CONTRACT FOR THE PURCHASE OF EVERY MILWAUKEE PRODUCT. IF YOU DO NOT AGREE TO THIS CONDITION, YOU SHOULD NOT PURCHASE THE PRODUCT. IN NO EVENT SHALL MILWAUKEE BE LIABLE FOR ANY INCIDENTAL, SPECIAL, CONSEQUENTIAL OR PUNITIVE DAMAGES, OR FOR ANY COSTS, ATTORNEY FEES, EXPENSES, LOSSES OR DELAYS ALLEGED TO BE AS A CONSEQUENCE OF ANY DAMAGE TO, FAILURE OF, OR DEFECT IN ANY PRODUCT INCLUDING, BUT NOT LIMITED TO, ANY CLAIMS FOR LOSS OF PROFITS. SOME STATES DO NOT ALLOW THE EXCLUSION OR LIMITATION OF INCIDENTAL OR CONSEQUENTIAL DAMAGES, SO THE ABOVE LIMITATION OR EXCLUSION MAY NOT APPLY TO YOU. THIS WARRANTY IS EXCLUSIVE AND IN LIEU OF ALL OTHER EXPRESS WARRANTIES, WRITTEN OR ORAL. TO THE EXTENT PERMITTED BY LAW, MILWAUKEE DISCLAIMS ANY IMPLIED WARRANTIES, INCLUDING WITHOUT LIMITATION ANY IMPLIED WARRANTY OF MERCHANTABILITY OR FITNESS FOR A PARTICULAR USE OR PURPOSE; TO THE EXTENT SUCH DISCLAIMER IS NOT PERMITTED BY LAW, SUCH IMPLIED WARRANTIES ARE LIMITED TO THE DURATION OF THE APPLICABLE EXPRESS WARRANTY AS DESCRIBED ABOVE. SOME STATES DO NOT ALLOW LIMITATIONS ON HOW LONG AN IMPLIED WARRANTY LASTS, SO THE ABOVE LIMITATION MAY NOT APPLY TO YOU, THIS WARRANTY GIVES YOU SPECIFIC LEGAL RIGHTS, AND YOU MAY ALSO HAVE OTHER RIGHTS WHICH VARY FROM STATE TO STATE. This warranty applies to product sold in the U.S.A. and Canada only.

Please consult the 'Service Center Search' in the Parts & Service section of MILWAUKEE's website www.milwaukeekeetool.com or call **1.800.SAWDUST (1.800.729.3878)** to locate your nearest service facility for warranty and non-warranty service on a Milwaukee electric power tool.

LIMITED WARRANTY - MEXICO, CENTRAL AMERICA AND CARIBBEAN

TECHTRONIC INDUSTRIES' warranty is for 5 year since the original purchase date. This warranty card covers any defect in material and workmanship on this Power Tool. To make this warranty valid, present this warranty card, sealed/stamped by the distributor or store where you purchased the product, to the Authorized Service Center (ASC). Or, if this card has not been sealed/stamped, present the original proof of purchase to the ASC. Call toll-free 1 800 030-7777, or by email to servicio.tecnico@milwaukeekeetool.com, to find the nearest ASC, for service, parts, accessories or components.

Procedure to make this warranty valid

Take the product to the ASC, along with the warranty card sealed/stamped by the distributor or store where you purchased the product, and there any faulty piece or component will be replaced without cost for you. We will cover all freight costs relative with this warranty process.

Exceptions

This warranty is not valid in the following situations:

- When the product is used in a different manners from the end-user guide or instruction manual.
- When the conditions of use are not normal.
- When the product was modified or repaired by people not authorized by TECHTRONIC INDUSTRIES.

Note: If cord set is damaged, it should be replaced by an Authorized Service Center to avoid electric risks.

SERVICE AND ATTENTION CENTER
Av Presidente Mazarik 29 Piso 7, 11560 Polanco V Seccion
Miguel Hidalgo, Distrito Federal, Mexico
Tel. 52 (55) 4160-3540

IMPORTED AND COMMERCIALIZED BY:
TECHTRONIC INDUSTRIES MEXICO, S.A. DE C.V.
Av Presidente Mazarik 29 Piso 7, 11560 Polanco V Seccion
Miguel Hidalgo, Distrito Federal, Mexico

Model: _____

Date of Purchase: _____

Distributor or Store Stamp: _____

RÈGLES DE SÉCURITÉ GÉNÉRALES RELATIVES AUX OUTILS ÉLECTRIQUES

AVERTISSEMENT Lire toutes les consignes de sécurité, consignes, illustrations et spécifications fournies avec cet outil électrique. Ne pas suivre l'ensemble des règles et instructions peut entraîner une électrocution, un incendie ou des blessures graves. Conserver les règles et les instructions à des fins de référence ultérieure. Le terme «outil électrique» figurant dans les avertissements ci-dessous renvoie à l'outil électrique à alimentation par le réseau (à cordon) ou par batterie (sans fil).

SÉCURITÉ DU LIEU DE TRAVAIL

- **Veillez à ce que l'aire de travail soit propre et bien éclairée.** Le désordre et le manque de lumière favorisent les accidents.
- **Ne pas utiliser d'outils électriques dans des atmosphères explosives, par exemple en présence de liquides, gaz ou poussières inflammables.** Les outils électriques produisent des étincelles risquant d'enflammer les poussières ou vapeurs.
- **S'assurer que les enfants et les curieux se trouvent à une bonne distance au moment d'utiliser un outil électrique.** Les distractions peuvent causer une perte de contrôle.

SÉCURITÉ ÉLECTRIQUE

- **Les fiches des outils électriques doivent correspondre à la prise secteur utilisée. Ne jamais modifier la fiche, de quelque façon que ce soit. Ne jamais utiliser d'adaptateurs de fiche avec des outils mis à la terre.** Les fiches et prises non modifiées réduisent le risque de choc électrique.
- **Éviter tout contact avec des surfaces mises à la terre comme des tuyaux, des radiateurs, des cuisinières et des réfrigérateurs.** Le risque de choc électrique est accru lorsque le corps est mis à la terre.
- **Ne pas exposer les outils électriques à l'eau ou l'humidité.** La pénétration d'eau dans ces outils accroît le risque de choc électrique.
- **Ne pas maltraiter le cordon d'alimentation. Ne jamais utiliser le cordon d'alimentation pour transporter l'outil électrique et ne jamais débrancher ce dernier en tirant sur le cordon.** Garder le cordon à l'écart de la chaleur, de l'huile, des objets tranchants et des pièces en mouvement. Un cordon endommagé ou emmêlé accroît le risque de choc électrique.
- **Pour les travaux à l'extérieur, utiliser un cordon spécialement conçu à cet effet.** Utiliser un cordon conçu pour l'usage extérieur réduit les risques de choc électrique.
- **Si l'utilisation d'un outil électrique est inévitable dans un endroit humide, utiliser une source d'alimentation munie d'un disjoncteur de fuite de terre.** L'utilisation d'un disjoncteur de fuite de terre réduit le risque de choc électrique.

SÉCURITÉ INDIVIDUELLE

- **Rester attentif, prêter attention au travail et faire preuve de bon sens lors de l'utilisation de tout outil électrique. Ne pas utiliser cet appareil en cas de fatigue ou sous l'influence de l'alcool, de drogues ou de médicaments.** Un moment d'inattention pendant l'utilisation d'un outil électrique peut entraîner des blessures graves.
- **Porter l'équipement de protection individuel requis. Toujours porter une protection oculaire.** Selon les conditions, porter aussi un masque anti-poussières, des bottes de sécurité antidérapantes,

un casque protecteur ou une protection auditive afin de réduire les blessures.

- **Empêcher les démarrages accidentels. S'assurer que la gâchette est en position d'arrêt avant de brancher l'outil à une source de courant, d'insérer la batterie, de le ramasser ou de le transporter.** Le fait de transporter un outil électrique en gardant le doigt sur la gâchette ou de mettre sous tension un outil électrique lorsque la gâchette est en position de marche favorise les accidents.
- **Retirer les clés de réglage avant de mettre l'outil en marche.** Une clé laissée sur une pièce rotative de l'outil peut causer des blessures.
- **Ne pas travailler hors de portée. Toujours se tenir bien campé et en équilibre.** Une bonne stabilité procure un meilleur contrôle de l'outil électrique en cas d'imprévus.
- **Porter une tenue appropriée. Ne porter ni vêtements amples, ni bijoux. Garder les cheveux et les vêtements à l'écart des pièces en mouvement.** Les vêtements flottants, les bijoux ou les cheveux longs risquent d'être happés par les pièces en mouvement.
- **Si les outils sont équipés de dispositifs de dé poussière, s'assurer qu'ils sont connectés et correctement utilisés.** L'utilisation d'un collecteur de poussière permet de réduire les dangers liés à la poussière.
- **Ne pas laisser la familiarité avec l'outil acquise par une utilisation fréquente vous rendre suffisant et vous amener à ignorer les règles de sécurité.** Une utilisation négligée peut causer une blessure grave en une fraction de seconde.

UTILISATION ET ENTRETIEN DE L'OUTIL ÉLECTRIQUE

- **Ne pas forcer l'outil électrique. Utiliser l'outil électrique approprié pour l'application.** Un outil électrique approprié exécutera le travail mieux et de façon moins dangereuse s'il est utilisé dans les limites prévues.
- **Ne pas utiliser l'outil électrique si le commutateur ne permet pas de le mettre en marche ou de l'arrêter.** Tout outil électrique qui ne peut pas être contrôlé par son commutateur est dangereux et doit être réparé.
- **Débrancher l'outil et/ou retirer le bloc-piles, si possible, avant d'effectuer des réglages, de changer d'accessoire ou de remiser l'outil.** Ces mesures de sécurité préventives réduisent les risques de démarrage accidentel de l'outil.
- **Entreposer l'outil électrique hors de la portée des enfants et interdire à quiconque de l'utiliser si la personne ne connaît pas bien le produit ou les instructions.** Les outils électriques sont dangereux dans les mains d'utilisateurs novices.
- **Entretien des outils électriques et les accessoires. Vérifier qu'aucune pièce mobile n'est mal alignée ou bloquée, qu'aucune pièce n'est brisée et s'assurer qu'aucun autre problème risque**

d'affecter le bon fonctionnement de l'outil. En cas de dommages, faire réparer l'outil avant de l'utiliser. Plusieurs accidents sont causés par des produits mal entretenus.

- **Garder les outils bien affûtés et propres.** Des outils correctement entretenus et dont les tranchants sont bien affûtés risquent moins de se bloquer et sont plus faciles à contrôler.
- **Utiliser l'outil électrique, les accessoires, les embouts etc. conformément à ces instructions en tenant compte des conditions de travail et de la tâche à effectuer.** L'usage d'un outil électrique pour des applications pour lesquelles il n'est pas conçu peut être dangereux.
- **Garder les poignées et les surfaces de préhension sèches, propres et exemptes d'huile ou de graisse.** Des poignées et des surfaces de préhension glissantes ne permettent pas de manipuler et de contrôler l'outil en toute sécurité en cas de situation imprévue.

ENTRETIEN

- **Les réparations de l'outil électrique doivent être confiées à un technicien qualifié, utilisant exclusivement des pièces identiques à celles d'origine.** Le maintien de la sûreté de l'outil électrique sera ainsi assuré.

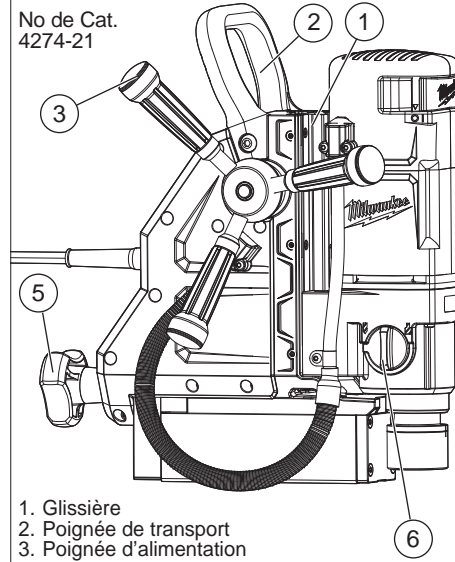
RÈGLES DE SÉCURITÉ SPÉCIFIQUES

- **Utiliser toujours la chaîne de sécurité.** Le montage peut tomber.
- **DANGER !** Pour réduire le risque de blessure, garder toujours les mains, les gants, les tissus, les vêtements, etc. éloignés des pièces mobiles et des copeaux. Ne pas essayer d'enlever les copeaux pendant que l'outil est en marche. Les copeaux sont tranchants et peuvent attirer des objets dans les pièces mobiles.
- **Nettoyer la surface de travail avant de fixer le support de la perceuse.** Les surfaces peintes, rouillées, écaillées ou irrégulières diminuent la force d'ancrage de l'aimant. Les copeaux, les bavures, la saleté et autres corps étrangers sur la base de l'aimant diminuent également la force d'ancrage de l'aimant.
- **Ne pas fixer une base magnétique sur de l'acier inoxydable non magnétique.** La base magnétique NE s'attache PAS. La perceuse 4272-21 s'attache magnétiquement aux filières ferreuses de 10 mm (3/8") d'épaisseur ou plus et la perceuse 4274-21 aux filières ferreuses de 6,35 mm (1/4") ou plus. Ne pas utiliser sur les filières de moins de 6,35 mm (1/4").
- **Tenir l'outil par ses surfaces de préhension isolées lors des opérations pendant lesquelles l'accessoire de coupe peut entrer en contact**

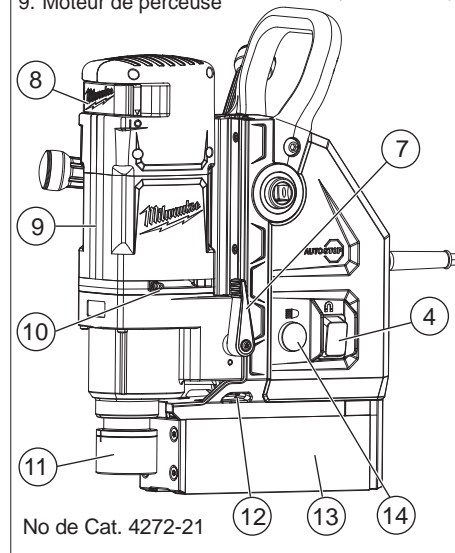
avec du câblage caché ou avec son propre cordon d'alimentation. Le contact d'un accessoire de coupe avec un fil sous tension « électrifié » les pièces métalliques exposées de l'outil et peut électrocuter l'utilisateur.

- **Sangle de sécurité**
- **Ne pas l'utiliser à proximité d'acides ou d'agents de blanchiment.**
- **Ne pas l'utiliser pour porter l'outil au-dessus de la tête.**
- **Ne pas utiliser la sangle si elle est endommagée.**
- **La sangle doit être protégée contre les bords coupants.**
- **Tout le matériel doit être aligné dans le sens de la traction pour une puissance nominale.**
- **Maintenir en état les étiquettes et les plaques signalétiques.** Des informations importantes y figurent. Si elles deviennent illisibles ou manquantes, contacter un centre de services et d'entretien MILWAUKEE pour un remplacement gratuit.
- **AVERTISSEMENT** La poussière dégagée par certains matériaux lors du ponçage, sciage, meulage, perçage et autres opérations de construction contient des produits chimiques reconnus pour causer le cancer, des malformations congénitales ou des lésions de l'appareil reproducteur. Voici certains exemples de ces produits chimiques :
 - le plomb contenu dans la peinture au plomb,
 - la silice cristalline contenue dans les briques, le ciment et d'autres produits de maçonnerie, et
 - l'arsenic et le chrome contenus dans le bois de construction traité par produits chimiques.
 Le risque présenté par l'exposition à ces produits varie en fonction de la fréquence de ce type de travail. Pour réduire l'exposition à ces produits chimiques : travailler dans un endroit bien aéré et utiliser des équipements de sécurité approuvés tels que les masques anti-poussière spécialement conçus pour filtrer les particules microscopiques.

DESCRIPTION FONCTIONNELLE



1. Glissière
2. Poignée de transport
3. Poignée d'alimentation
4. Interrupteur d'activation de l'aimant (4272-21 uniquement)
5. Bouton d'activation de l'aimant (4274-21 uniquement)
6. Sélecteur de vitesse
7. Levier de réglage du moteur
8. Commutateur marche(1)/arrêt(O)
9. Moteur de perceuse
10. Raccord de liquide de coupe
11. Axe à changement rapide
12. Support de sangle de sécurité (sangle non illustrée)
13. Base magnétique
14. Bouton DEL
15. Pompe à main et tube (non illustrés)



No de Cat. 4272-21

PICTOGRAPHIE

	Double Insolation
	Ampères
	Volts
	Courant alternatif
n_0 xxxx /min.	Tours-minute à vide (RPM)
	Underwriters Laboratories, Inc. États-Unis et Canada
	DANGER! Pour réduire les risques de blessure, gardez les mains, les chiffons, les vêtements etc., loin des pièces mobiles et des copeaux. N'essayez pas d'enlever les copeaux pendant que la perceuse tourne. Les copeaux sont tranchants et peuvent attirer les objets dans les pièces mobiles.

MISE A LA TERRE

AVERTISSEMENT Si le fil de mise à la terre est incorrectement raccordé, il peut en résulter des risques de choc électrique. Si vous n'êtes pas certain que la prise dont vous vous servez est correctement mise à la terre, faites-la vérifier par un électricien. N'altérez pas la fiche du cordon de l'outil. N'enlevez pas de la fiche, la dent qui sert à la mise à la terre. N'employez pas l'outil si le cordon ou la fiche sont en mauvais état. Si tel est le cas, faites-les réparer dans un centre-service MILWAUKEE accrédité avant de vous en servir. Si la fiche du cordon ne s'adapte pas à la prise, faites remplacer la prise par un électricien.

Outils mis à la terre : Outils pourvus d'une fiche de cordon à trois dents

Les outils marqués « Mise à la terre requise » sont pourvus d'un cordon à trois fils dont la fiche a trois dents. La fiche du cordon doit être branchée sur une prise correctement mise à la terre (voir Figure A). De cette façon, si une défécuosité dans le circuit électrique de l'outil survient, le relais à la terre fournira un conducteur à faible résistance pour décharger le courant et protéger l'utilisateur contre les risques de choc électrique.

La dent de mise à la terre de la fiche est reliée au système de mise à la terre de l'outil via le fil vert du cordon. Le fil vert du cordon doit être le seul fil raccordé à un bout au système de mise à la terre de l'outil et son autre extrémité ne doit jamais être

PICTOGRAPHIE						
No de Cat.	Aimant	Volts CA	Ampères	Tr/min. à vide	*Foret hélicoïdale	Lame en acier rapide
4272-21	Électro	120	13	Haute 730 Basse 475	13 mm (1/2")	41 mm (1-5/8")
4274-21	Permanent	120	13	Haute 730 Basse 475	13 mm (1/2")	41 mm (1-5/8")

* Requiert l'utilisation d'un adaptateur de mandrin de 13 mm (1/2"), voir la section « Accessoires ».

raccordée à une borne sous tension électrique. Votre outil doit être branché sur une prise appropriée, correctement installée et mise à la terre conformément aux codes et ordonnances en vigueur. La fiche du cordon et la prise de courant doivent être semblables à celles de la Figure A.



Fig. A

Outils à double isolation : Outils pourvus d'une fiche de cordon à deux dents

Les outils marqués « Double Isolation » n'ont pas besoin d'être raccordés à la terre. Ils sont pourvus d'une double isolation conforme aux exigences de l'OSHA et satisfait aux normes de l'Underwriters Laboratories, Inc., de l'Association canadienne de normalisation (ACNOR) et du « National Electrical Code » (code national de l'électricité). Les outils à double isolation peuvent être branchés sur n'importe laquelle des prises à 120 volt illustrées ci-contre Figure B et C.

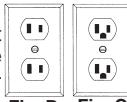


Fig. B Fig. C

CORDONS DE RALLONGE

Si l'emploi d'un cordon de rallonge est nécessaire, un cordon à trois fils doit être employé pour les outils mis à la terre. Pour les outils à double isolation, on peut employer indifféremment un cordon de rallonge à deux ou trois fils. Plus la longueur du cordon entre l'outil et la prise de courant est grande, plus le calibre du cordon doit être élevé. L'utilisation d'un cordon de rallonge incorrectement calibré entraîne une chute de voltage résultant en une perte de puissance qui risque de détériorer l'outil. Reportez-vous au tableau ci-contre pour déterminer le calibre minimum du cordon. Moins le calibre du fil est élevé, plus sa conductivité est bonne. Par exemple, un cordon de calibre 14 a une meilleure conductivité qu'un cordon de calibre 16. Lorsque vous utilisez plus d'une rallonge pour couvrir la distance, assurez-vous que chaque cordon possède le calibre minimum requis. Si vous utilisez un seul cordon pour brancher plusieurs outils, additionnez le chiffre d'intensité (ampères) inscrit sur la fiche signalétique de chaque outil pour obtenir le calibre minimal requis pour le cordon.

Directives pour l'emploi des cordons de rallonge

- Si vous utilisez une rallonge à l'extérieur, assurez-vous qu'elle est marquée des sigles « W-A » (« W » au Canada) indiquant qu'elle est adéquate pour usage extérieur.
- Assurez-vous que le cordon de rallonge est correctement câblé et en bonne condition. Remplacez tout cordon déralongé détérioré ou faites-le remettre en état par une personne compétente avant de vous en servir.
- Tenez votre cordon de rallonge à l'écart des objets ranchants, des sources de grande chaleur et des endroits humides ou mouillés.

Calibres minimaux recommandés pour les cordons de rallonge*						
Fiche signalétique Ampères	Longueur du cordon de rallonge (m)					
	7,6	12,2	22,8	30,4	45,7	60,9
0 - 5,0	16	16	16	14	12	12
5,1 - 8,0	16	16	14	12	10	--
8,1 - 12,0	14	14	12	10	--	--
12,1 - 15,0	12	12	10	10	--	--
15,1 - 20,0	10	10	10	--	--	--

* Basé sur un chute de voltage limite de 5 volts à 150% de l'intensité moyenne de courant.

LISEZ ATTENTIVEMENT CES INSTRUCTIONS ET CONSERVEZ-LES POUR LES CONSULTER AU BESOIN.

MONTAGE DE L'OUTIL

AVERTISSEMENT Pour réduire les risques de blessures, débranchez toujours l'outil avant d'y effectuer des réglages, d'y attacher ou d'en enlever les accessoires. L'usage d'accessoires autres que ceux qui sont spécifiquement recommandés pour cet outil peut comporter des risques. Tout autre type d'accessoire pourrait être dangereux.

Fixer la poignée d'alimentation

1. Pour le fixer, aligner l'enclume, appuyer sur le bouton central et glisser la poignée à la place désirée de l'outil.
 2. Pour la retirer, appuyer sur le bouton central et tirer la poignée loin de l'outil.
- Ne pas utiliser une clé, un tuyau ou un autre levier à la place de la poignée d'alimentation.

Levier de réglage du moteur

Le levier de réglage du moteur permet d'élever et d'abaisser le moteur sur la glissière. Toujours tenir fermement le moteur avant de desserrer le levier de réglage.

MANIEMENT

AVERTISSEMENT Pour minimiser les risques de blessures, portez des lunettes à coques latérales.

Utilisation type

1. Vérifier que la surface de travail est propre et exempte de corps étrangers. Les surfaces peintes, rouillées, écaillées ou irrégulières diminuent la force d'ancrage de l'aimant. Les copeaux, les bavures, la saleté et autres corps étrangers sur la base magnétique diminuent également la force d'ancrage de l'aimant. Utiliser une lime plate et lisse pour nettoyer l'aimant et éliminer les entailles. La perceuse 4272-21 s'attache aux filières ferreuses de 10 mm (3/8") d'épaisseur ou plus et la perceuse 4274-21 aux filières ferreuses de 6,35 mm (1/4") ou plus. Ne pas l'utiliser sur les filières

de moins de 6,35 mm (1/4"). La base magnétique NE s'attache PAS à l'acier inoxydable de classe non magnétique.

2. Installer / retirer la lame :
 - A. Débrancher l'outil.
 - B. Lever le moteur de la perceuse à sa position la plus haute sur la glissière.
 - C. Faire pivoter l'axe à changement rapide. Insérer la lame dans l'axe et le collet auxiliaire. Tirer sur la lame pour s'assurer qu'elle est bien fixée. La lame doit être entièrement logée dans la broche.
 - D. Inverser la procédure pour retirer la lame.
- REMARQUE** : Ne pas retirer la lame excepté si le tronçon a été retiré. Le tronçon peut s'éjecter de manière inattendue. Éviter le contact avec les pointes de la lame. Inspecter périodiquement les pointes de la lame pour s'assurer qu'elles ne sont pas desserrées ou endommagées.
- REMARQUE** : Si le couteau ne se libère pas de l'arbre lorsque le collier est tourné, utiliser une pince-étai pour saisir le couteau au-dessus des cannelures. Tenant le collier en toute sécurité par une main, faire pivoter la pince dans le sens horaire pour libérer le couteau de l'arbre.

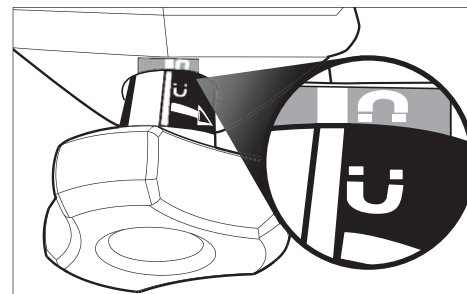
AVERTISSEMENT Pour réduire le risque de blessure, ne pas tenir la pièce à travailler à la main.

3. Sélectionner une vitesse élevée ou une vitesse faible selon l'application.

AVERTISSEMENT

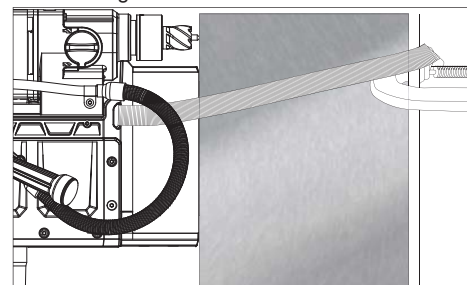
- N'utilisez pas de liquide de coupe dans une position verticale ou dans toute position qui lui permettrait d'entrer dans le moteur ou dans les ouvertures du commutateur.
- Les connexions mouillées présentent des risques de choc électrique. Empêchez les fluides de coupe de couler le long du cordon et d'arriver à la prise, aux connexions du cordon d'extension ou à la prise de l'outil. Chaque fois que l'outil est branché, élevez le cordon d'extension ou la monocommande et prévoyez une boucle d'égouttement. Si la prise ou les connexions sont mouillées, coupez le courant au niveau de la prise avant de débrancher l'outil.

4. Pour la perceuse 4272-21, positionner l'outil de sorte que la goupille centrale soit directement sur l'emplacement de coupe désiré. Appuyer sur l'interrupteur d'activation magnétique pour engager l'aimant. La perceuse ne fonctionnera pas jusqu'à ce que l'aimant soit engagé. Pour la perceuse 4274-21, positionner l'outil de sorte que la goupille centrale soit directement sur l'emplacement de coupe désiré. Tourner le bouton de l'aimant pour l'engager. Les icônes de l'aimant s'aligneront. La perceuse ne fonctionnera pas jusqu'à ce que l'aimant soit engagé.



AVERTISSEMENT Pour réduire le risque de blessure, utiliser toujours une sangle de sécurité pour les applications verticales, en hauteur et de tuyau. Le montage peut tomber.

5. Utiliser une sangle de sécurité pour les applications verticales, en hauteur et de tuyau.
 - A. Faire passer la sangle de sécurité à travers les fentes inférieures et l'envelopper fermement autour d'une structure rigide solide. S'assurer que la sangle n'est pas entortillée.
 - B. Fermer les mousquetons de la sangle de sécurité. S'assurer que la sangle n'est pas détendue.
 - C. Pour une utilisation sur une surface verticale, fixer la sangle de sécurité avec un serre-joint en C ou un dispositif similaire. Cela maintiendra la sangle en place et empêchera l'outil de glisser le long de la surface verticale. Ne pas le pincer à la sangle. Ceci pourrait endommager la sangle et la casser.



AVERTISSEMENT Ne pas utiliser le liquide de coupe en hauteur ou dans n'importe quelle autre position qui permettrait au liquide de s'infiltrer dans le boîtier du moteur ou du commutateur.

6. Brancher l'outil à une source électrique.
7. Avec l'interrupteur marche (I) / arrêt (O) à la position arrêt (O), placer le tube en caoutchouc sur le raccord du liquide de coupe. Injecter le liquide de coupe dans le tube en caoutchouc à l'aide de la pompe à main fournie. Garder la pompe à main et le tube à l'écart des pièces mobiles. Bien lubrifier avant de commencer et tout au long de l'opération de coupe et selon le besoin.

Une lubrification incorrecte peut endommager la lame de coupe. L'utilisation du liquide de coupe HAWG WASH® est recommandée pour une plus grande durée de vie des lames. L'opérateur est responsable de l'application de lubrifiants autres que le liquide de coupe HAWG WASH®.

Ne pas utiliser de liquide de coupe pour les applications en hauteur ou verticales. Pour une coupe à vitesse élevée, utiliser uniquement des pâtes lubrifiantes ou des vaporisateurs de graisse recommandés. Ne pas laisser les pâtes lubrifiantes et les jets pénétrer dans l'outil.

AVERTISSEMENT Pour réduire le risque de blessure, garder toujours les mains, les gants, les tissus, les vêtements etc. éloignés des pièces mobiles et des copeaux. Ne pas essayer d'enlever les copeaux pendant que l'outil est en marche. Les copeaux sont tranchants et peuvent attirer des objets dans les pièces mobiles.



8. Démarrer le moteur de la perceuse en tirant l'interrupteur ON (I) / OFF (O), des deux côtés, en position ON (I). La perceuse ne fonctionnera pas jusqu'à ce que l'aimant soit engagé.



9. Même les grands embouts requièrent une petite pression sur la poignée d'alimentation.

AVERTISSEMENT Une force excessive sur la poignée d'alimentation peut désengager l'aimant.

Lors de l'insertion de la lame dans le matériau, utiliser suffisamment de force pour produire un copeau entortillé. Appliquer une force trop faible produira de petits copeaux cassés et augmentera le temps de coupe. Appliquer une force trop importante entraînera une surchauffe et une durée de vie plus courte de la lame. La surchauffe de la lame est visible lorsque la lame et les copeaux deviennent marron ou bleu. Une force excessive peut entraîner un ralentissement de la lame au point d'augmenter le temps de coupe. L'utilisation de lubrifiants de coupe réduira la chaleur produite par la coupe et augmentera la durée de vie de la lame.

Utiliser une pression d'alimentation inférieure lorsque des rainures ou des encoches sont réalisées, car les bords tranchants ont moins de support dans ces situations.

10. Maintenir une pression constante pendant toute l'utilisation afin d'empêcher les copeaux et les bavures de tomber sous les bords tranchants. Les débris de coupe sous la lame peuvent rendre la coupe difficile, voire impossible. Continuer de lubrifier selon le besoin.
11. Une fois la coupe effectuée, retirer la lame pendant que la broche tourne encore.

12. Arrêter le moteur de la perceuse en poussant le commutateur ON (I) / OFF (O).
13. Une fois que la broche s'est arrêtée de tourner, utiliser une pince pour retirer les débris de coupe et les copeaux de la lame et de la broche. Prendre soin de ne pas endommager les dents de la lame.
14. La goupille centrale est munie d'un ressort. Fournir une protection aux personnes travaillant à proximité des tronçons éjectés et protéger le matériel situé en dessous de la zone de coupe.
15. Saisir fermement l'outil pour désengager l'aimant. Pour la perceuse 4272-21, pousser l'interrupteur de l'aimant pour le désengager. Pour la perceuse 4274-21, tourner le bouton de l'aimant.
16. En perçant sur un tuyau à l'aide de la perceuse 4274-21, utiliser l'adaptateur de tuyau 48-10-0130 et la sangle de sécurité.

ENTRETIEN

AVERTISSEMENT Pour minimiser les risques de blessures, débranchez toujours l'outil avant d'y effectuer des travaux de maintenance. Ne faites pas vous-même le démontage de l'outil ni le reboinage du système électrique. Consultez un centre de service MILWAUKEE accrédité pour toutes les réparations.

Entretien de l'outil

Gardez l'outil en bon état en adoptant un programme d'entretien ponctuel. Avant de vous en servir, examinez son état en général. Inspectez-en la garde, interrupteur, cordon et cordon de rallonge pour en déceler les défauts. Vérifiez le serrage des vis, l'alignement et le jeu des pièces mobiles, les vices de montage, bris de pièces et toute autre condition pouvant en rendre le fonctionnement dangereux. Si un bruit ou une vibration insolite survient, arrêtez immédiatement l'outil et faites-le vérifier avant de vous en servir de nouveau. N'utilisez pas un outil défectueux. Fixez-y une étiquette marquée « HORS D'USAGE » jusqu'à ce qu'il soit réparé (voir « Réparations »).

Normalement, il ne sera pas nécessaire de lubrifier l'outil avant que le temps ne soit venu de remplacer les balais. Après une période pouvant aller de 6 mois à un an, selon l'usage, retournez votre outil à un centre de service MILWAUKEE accrédité pour obtenir les services suivants :

- Lubrification
- Inspection et remplacement des balais
- Inspection et nettoyage de la mécanique (engrenages, pivots, coussinets, boîtier etc.)
- Inspection électrique (interrupteur, cordon, induit etc.)
- Vérification du fonctionnement électromécanique

AVERTISSEMENT Pour minimiser les risques de blessures, choc électrique et dommage à l'outil, n'immergez jamais l'outil et ne laissez pas de liquide s'y infiltrer.

Nettoyage

Débarrassez les événements des débris et de la poussière. Gardez les poignées de l'outil propres, à sec et exemptes d'huile ou de graisse. Le nettoyage de l'outil doit se faire avec un linge humide et un savon doux. Certains nettoyants tels l'essence, la térébenthine, les diluants à laque ou à peinture, les solvants chlorés, l'ammoniaque et les détergents d'usage domestique qui en contiennent pourraient détériorer le plastique et l'isolation des pièces. Ne laissez jamais de solvants inflammables ou combustibles auprès des outils.

Réparations

Si votre outil est endommagé, retourne l'outil entier au centre de maintenance le plus proche.

GARANTIE LIMITÉE - AUX ÉTATS-UNIS ET AU CANADA

Chaque outil électrique MILWAUKEE (y compris les produits sans fil [outils, piles, chargeur de piles, lampe de travail] : consulter les énoncés de la GARANTIE LIMITÉE DES BLOCS-PILES SANS FIL) est garanti à l'acheteur d'origine exempt de vice de matériau et de fabrication. Sous réserve de certaines exceptions, MILWAUKEE réparera ou remplacera toute pièce d'un outil électrique qui, après examen par MILWAUKEE, s'est avérée être affectée d'un vice de matériau ou de fabrication pendant une période de cinq (5) ans* après la date d'achat, sauf indication contraire. Retourner l'outil électrique, à un centre de réparations en usine MILWAUKEE ou à un poste d'entretien agréé MILWAUKEE, en port prépayé et assuré. Une copie de la preuve d'achat doit être présentée au moment de retourner le produit. Cette garantie ne couvre pas les dommages que MILWAUKEE détermine être causés par des réparations ou des tentatives de réparation par quiconque autre que le personnel agréé par MILWAUKEE, des utilisations incorrectes, des altérations, des utilisations abusives, une usure normale, une carence d'entretien ou des accidents. *La période de garantie applicable pour les radios de chantier, le port d'alimentation M12™, Source d'énergie M18™, Ventilateur de chantier et les chariots de travail industriels Trade Titan™ est d'une durée d'un (1) an à partir de la date d'achat. La période de la garantie couvrant la lampe de travail à DEL et l'ampoule améliorée à DEL est une garantie à VIE limitée à l'acheteur d'origine seulement; si, lors d'une utilisation normale, l'ampoule à DEL présente une défectuosité, la lampe de travail et l'ampoule seront remplacées sans frais. *Cette garantie ne s'applique pas aux cloueuses-agrafeuses pneumatiques, aux pulvérisateurs à peinture sans air, aux blocs piles pour outils sans fil, aux générateurs d'alimentation portatifs à essence, aux outils à main, aux monte-charge – électrique, à levier et à chaîne (manuel), aux vestes chauffantes M12™, aux produits réunis, ni aux produits d'essai et de mesure. L'existence des garanties distinctes pour ces produits. L'enregistrement de la garantie n'est pas nécessaire pour bénéficier de la garantie en vigueur sur un outil électrique MILWAUKEE. La date de fabrication du produit servira à établir la période de garantie si aucune preuve d'achat n'est fournie lorsqu'une demande de service sous garantie est présentée.

L'ACCEPTATION DES RECOURS EXCLUSIFS DE RÉPARATION ET DE REMPLACEMENT DÉCRITS AU PRÉSENTS EST UNE CONDITION DU CONTRAT D'ACHAT DE TOUT PRODUIT MILWAUKEE. SI VOUS N'ACCEPTÉZ PAS CETTE CONDITION, VOUS NE DEVEZ PAS ACHETER LE PRODUIT. EN AUCUN CAS MILWAUKEE NE SAURAIT ÊTRE RESPONSABLE DE TOUT DOMMAGE ACCESSOIRE, SPÉCIAL OU INDIRECT, DE DOMMAGES-INTÉRÊTS PUNITIFS OU DE TOUTE DÉPENSE, D'HONORAIRES D'AVOCATS, DE FRAIS, DE PERTE OU DE DÉLAIS ACCESSOIRES À TOUT DOMMAGE, DÉFAILLANCE OU DÉFAUT DE TOUT PRODUIT, Y COMPRIS NOTAMMENT LES PERTES DE PROFIT. CERTAINS ÉTATS ET PROVINCES NE PERMETTANT PAS L'APPLICATION OU LA LIMITATION DES DOMMAGES DIRECTS OU INDIRECTS, LES RESTRICTIONS CI-DESSUS PEUVENT NE PAS ÊTRE APPLICABLES. CETTE GARANTIE EST EXCLUSIVE ET REMPLACE TOUTE AUTRE GARANTIE EXPRESSE, QU'ELLE SOIT ORALE OU ÉCRITE, DANS LA MESURE PERMISE PAR LA LOI. MILWAUKEE RENONCE À TOUTE GARANTIE IMPLICITE, Y COMPRIS, SANS S'Y LIMITER, TOUTE GARANTIE IMPLICITE DE QUALITÉ MARCHANDE OU D'ADAPTATION À UNE UTILISATION OU À UNE FIN PARTICULIÈRE. DANS LA MESURE OU UNE TELLE STIPULATION D'EXONÉRATION N'EST PAS PERMISE PAR LA LOI. LA DURÉE DE CES GARANTIES IMPLICITES EST LIMITÉE À LA PÉRIODE APPLICABLE DE LA GARANTIE EXPRESSE, TEL QUE DÉCRIT PRÉCÉDEMMENT. CERTAINS ÉTATS ET PROVINCES NE PERMETTANT PAS DE LIMITATION DE DURÉE DES GARANTIES IMPLICITES, LES RESTRICTIONS CI-DESSUS PEUVENT NE PAS ÊTRE APPLICABLES. LA PRÉSENTE CONFÈRE À L'UTILISATEUR DES DROITS LÉGAUX PARTICULIERS; IL BÉNÉFICIE ÉGALEMENT D'AUTRES DROITS QUI VARIENT D'UN ÉTAT À L'AUTRE.

Cette garantie s'applique aux produits vendus aux États-Unis et au Canada uniquement. Veuillez consulter la rubrique Centre SAV MILWAUKEE, dans la section Pièces & Service du site Web de MILWAUKEE, à l'adresse www.milwaukeetool.com, ou composer le 1-800-SAWDUST (1-800-729-3878) afin de trouver le centre de réparations en usine MILWAUKEE le plus près.

GARANTIE LIMITÉE - MEXIQUE, AMÉRIQUE CENTRALE ET CARAÏBES

TECHTRONIC INDUSTRIES' garantit le produit pendant cinq ans à partir de la date d'achat d'origine. Le présent bon de garantie couvre tous les vices de matériau et de fabrication que peut afficher cet outil électrique. Pour assurer la validité de la présente garantie, veuillez présenter le bon de commande, estampillé du sceau du distributeur ou du magasin où le produit a été acheté, au centre de réparations agréé. Si le bon de commande n'a pas été estampillé, veuillez fournir la preuve d'achat d'origine au centre de réparations agréé. Pour un entretien, des pièces, des accessoires ou d'autres composants, composer sans frais le 1-800-832-1949 afin d'obtenir les coordonnées du centre de réparations agréé le plus près.

Procédure pour assurer la validité de la garantie

Présenter le produit au centre de réparations agréé, accompagné du bon de commande estampillé du sceau du distributeur ou du magasin où le produit a été acheté. Toute pièce défectueuse ou tout composant défectueux sera remplacé sans frais. Milwaukeee assume tous les frais de transport liés à ce processus de garantie.

Exceptions

La garantie ne s'applique pas dans les situations suivantes :

- a) Si le produit a été utilisé pour une fin autre que celle indiquée dans le guide de l'utilisateur final ou le manuel d'instructions.
- b) Si les conditions d'utilisations ne sont pas habituelles.
- c) Si le produit a été modifié ou réparé par une personne non autorisée par TECHTRONIC INDUSTRIES.

Note : Si le cordon électrique est endommagé, il doit être remplacé par un centre de réparations agréé pour éviter les risques d'électrocution.

Modèle : _____

Date d'achat : _____

Sceau du distributeur ou du magasin : _____

ACCESOIRES

AVERTISSEMENT Retirez toujours la batterie avant de changer ou d'enlever les accessoires. L'utilisation d'autres accessoires que ceux qui sont spécifiquement recommandés pour cet outil peut comporter des risques.

Pour une liste complète des accessoires, prière de se reporter au catalogue MILWAUKEE ou visiter le site internet www.milwaukeetool.com. Pour obtenir un catalogue, il suffit de contacter votre distributeur local ou l'un des centres-service.

ADVERTENCIAS DE SEGURIDAD GENERALES PARA LA HERRAMIENTA ELÉCTRICA

ADVERTENCIA Lea todas las advertencias de seguridad, instrucciones, ilustraciones y especificaciones con esta herramienta eléctrica. Si no sigue todas las advertencias e instrucciones, se pueden provocar una descarga eléctrica, un incendio o lesiones graves. **Guarde todas las advertencias e instrucciones para consultarlas en el futuro.** El término "herramienta eléctrica" en todas las advertencias incluidas más abajo se refiere a su herramienta operada por conexión (cable) a la red eléctrica o por medio de una batería (inalámbrica).

SEGURIDAD EN EL ÁREA DE TRABAJO

- Mantenga el área de trabajo limpia y bien iluminada. Las áreas desordenadas u oscuras son propicias para los accidentes.
- No utilice herramientas eléctricas en atmósferas explosivas, tales como en presencia de líquidos, gases o polvos inflamables. Las herramientas eléctricas generan chispas que pueden encender el polvo o los vapores.
- Mantenga a los niños y a los espectadores alejados mientras utiliza una herramienta eléctrica. Las distracciones pueden ocasionar la pérdida de control.

SEGURIDAD ELÉCTRICA

- Los enchufes de la herramienta eléctrica deben coincidir con el tomacorriente. Nunca modifique el enchufe de ninguna manera. No utilice adaptadores de enchufe con herramientas eléctricas aterrizadas. Los enchufes y tomacorrientes correspondientes sin modificar reducirán el riesgo de descarga eléctrica.
- Evite el contacto corporal con superficies aterrizadas, tales como tuberías, radiadores, estufas y refrigeradores. Existe un riesgo mayor de descarga eléctrica si su cuerpo está aterrizado.
- No exponga las herramientas eléctricas a la lluvia ni a condiciones húmedas. Si se introduce agua en una herramienta eléctrica, aumentará el riesgo de descarga eléctrica.
- No maltrate el cable. Nunca utilice el cable para cargar, jalar o desconectar la herramienta eléctrica. Mantenga el cable alejado del calor, el aceite, los bordes afilados o las partes en movimiento. Los cables dañados o enredados aumentan el riesgo de descarga eléctrica.
- Al utilizar una herramienta eléctrica en exteriores, utilice una extensión adecuada para uso en exteriores. El uso de una extensión adecuada para el uso en exteriores disminuye el riesgo de descarga eléctrica.
- Si es inevitable utilizar una herramienta eléctrica en un lugar húmedo, utilice un alimentador de corriente protegido con un interruptor de circuito por falla de conexión a tierra (GFCI). El uso de un GFCI reduce el riesgo de descarga eléctrica.

SEGURIDAD PERSONAL

- Manténgase alerta, atento a lo que está haciendo y utilice el sentido común al utilizar una herramienta eléctrica. No utilice una herramienta eléctrica mientras está cansado o bajo la influencia de drogas, alcohol o medicamentos. Un momento de distracción al utilizar herramientas eléctricas puede ocasionar lesiones personales graves.
- Utilice equipo de protección personal. Siempre use protección para los ojos. El equipo de protección, tal como una máscara contra polvo, calzado antideslizante, casco o protección auditiva, utilizado para condi-

ciones adecuadas disminuirá las lesiones personales.

- Evite el arranque accidental. Asegúrese de que el interruptor esté en la posición de apagado antes de conectarlo a una fuente de poder y/o batería, levantar o trasladar la herramienta. Trasladar herramientas con el dedo en el interruptor o energizar herramientas eléctricas que tienen el interruptor encendido propicia accidentes.
- Retire cualquier llave de ajuste antes de entender la herramienta. Una llave que se deje insertada en una parte giratoria de la herramienta eléctrica puede ocasionar lesiones personales.
- No estire el cuerpo demasiado. Mantenga un buen contacto entre los pies y el suelo y mantenga el equilibrio en todo momento. Esto permite un mejor control de la herramienta eléctrica en situaciones inesperadas.
- Vístase adecuadamente. No utilice ropa o joyería holgada. Mantenga el cabello y la ropa alejados de las partes móviles. La ropa holgada, las alhajas o el cabello largo pueden quedarse atrapados en las partes móviles.
- Si se proporcionan dispositivos para la conexión de instalaciones de extracción y recolección de polvo, cerciórese de que estén conectados y se utilicen correctamente. El uso de dispositivos recolectores de polvo puede disminuir los riesgos relacionados con el polvo.
- No permita que la familiaridad por el uso frecuente de las herramientas lo hagan sentirse seguro e ignorar los principios de seguridad de las herramientas. Un descuido puede provocar lesiones graves en una fracción de segundo.

USO Y CUIDADO DE LAS HERRAMIENTAS ELÉCTRICAS

- No fuerce la herramienta eléctrica. Utilice la herramienta eléctrica correcta para su aplicación. La herramienta eléctrica correcta realizará el trabajo mejor y con mayor seguridad a la velocidad para la que fue diseñada.
- No utilice la herramienta eléctrica si el interruptor no la enciende y la apaga. Cualquier herramienta eléctrica que no pueda controlarse con el interruptor es peligrosa y debe repararse.
- Desconecte el enchufe de la fuente de energía y/o quite la batería de la herramienta eléctrica, si es posible, antes de realizar cualquier ajuste, cambiar accesorios o almacenar las herramientas eléctricas. Tales medidas preventivas de seguridad disminuyen el riesgo de que la herramienta eléctrica se encienda accidentalmente.
- Almacene las herramientas eléctricas que no se estén utilizando fuera del alcance de los niños y no permita que personas que no estén familiarizadas con la herramienta eléctrica o con estas instrucciones la utilicen. Las herramientas eléctricas son peligrosas en manos de usuarios sin capacitación.
- Dé mantenimiento a las herramientas eléctricas y accesorios. Verifique que no haya desalineación,

amarre de partes móviles, partes rotas o alguna otra condición que pueda afectar el funcionamiento de la herramienta eléctrica. Si se daña, asegúrese de que la herramienta eléctrica sea reparada antes de que se utilice. Muchos accidentes son ocasionados por herramientas eléctricas con mantenimiento deficiente.

- Mantenga las herramientas de corte afiladas y limpias. Las herramientas de corte correctamente mantenidas con bordes de corte afilados son menos propensas a atorarse y son más fáciles de controlar.
- Utilice la herramienta eléctrica, los accesorios y las puntas, etc. de acuerdo con estas instrucciones, tomando en cuenta las condiciones de trabajo y el trabajo a realizar. El uso de la herramienta eléctrica para operaciones diferentes a las previstas podría generar una situación peligrosa.
- Mantenga las empuñaduras y las superficies de sujeción secas, limpias y libres de aceite y grasa. Las empuñaduras y superficies de sujeción resbalosas no permiten el manejo y control seguros de la herramienta en situaciones inesperadas.

MANTENIMIENTO

- Lleve su herramienta eléctrica a servicio con un técnico calificado que use únicamente piezas de reemplazo idénticas. Esto asegurará que la seguridad de la herramienta eléctrica se mantenga.

REGLAS ESPECÍFICAS DE SEGURIDAD

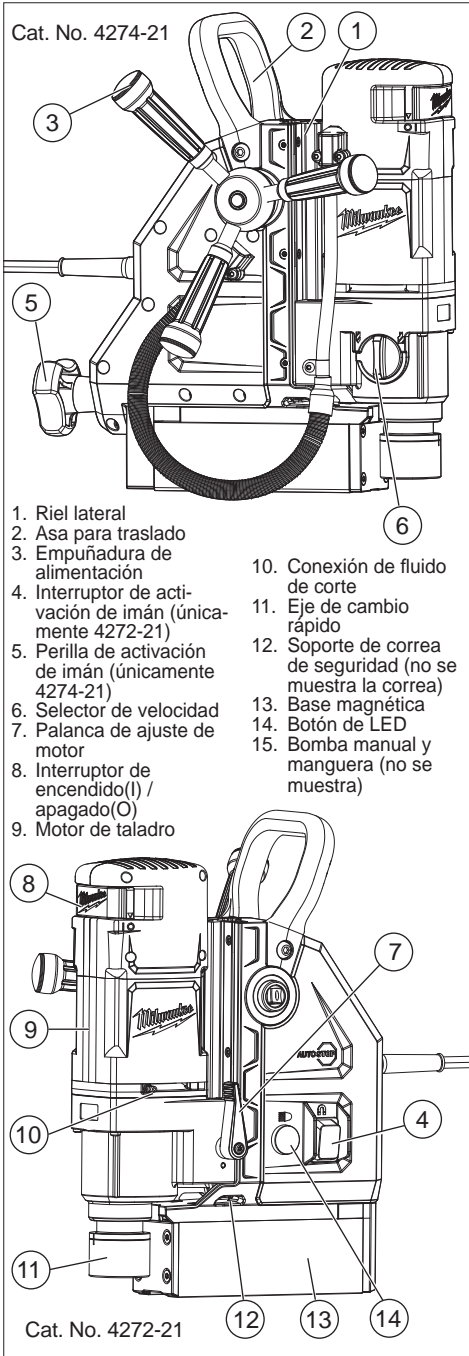
- Siempre use una cadena de seguridad. El montaje puede soltarse.
- ¡PELIGRO! Para reducir el riesgo de lesiones, siempre mantenga las manos, los guantes, los trapos, la ropa, etc. alejados de las piezas en movimiento y las virutas. No intente remover las virutas mientras la broca esté girando. Las virutas son afiladas y pueden jalar objetos hacia las partes móviles.
- Limpie la superficie antes de unir la base del taladro a la superficie de trabajo. La pintura, el óxido, el sarro o las superficies desiguales disminuyen la fuerza de sujeción del imán. Las virutas, las rebabas, la suciedad y otros materiales extraños sobre la superficie de la base del imán también disminuirán la potencia de sujeción.
- No coloque la base magnética a grados no magnéticos de acero inoxidable. La base del imán no se adherirá. El taladro 4272-21 se adhiere magnéticamente a material ferroso a partir de 10 mm (3/8") de espesor, mientras que el 4274-21 se adhiere a material ferroso a partir de 6.35 mm (1/4") de espesor. No se use en material de menos de 6.35 mm (1/4").

ESPECIFICACIONES

Cat. No.	Imán	Volts ca	Amperios	RPM sin carga	*Taladro helicoidal	Broca HSS
4272-21	Electro	120	13	Alta 730 Baja 475	13 mm (1/2")	41 mm (1-5/8")
4274-21	Permanente	120	13	Alta 730 Baja 475	13 mm (1/2")	41 mm (1-5/8")

* Requiere el uso de un adaptador de mandril de 13 mm (1/2"), vea "Accesorios."

DESCRIPCION FUNCIONAL



1. Riel lateral
2. Asa para traslado
3. Empuñadura de alimentación
4. Interruptor de activación de imán (únicamente 4272-21)
5. Perilla de activación de imán (únicamente 4274-21)
6. Selector de velocidad
7. Palanca de ajuste de motor
8. Interruptor de encendido(I) / apagado(O)
9. Motor de taladro
10. Conexión de fluido de corte
11. Eje de cambio rápido
12. Soporte de correa de seguridad (no se muestra la correa)
13. Base magnética
14. Botón de LED
15. Bomba manual y manguera (no se muestra)

SIMBOLOGÍA

	Doble aislamiento
	Amperios
	Volts
	Corriente alterna
n_0 XXXXmin. ⁻¹	No de revoluciones de carga por minuto (RPM)
	Underwriters Laboratories, Inc., Estados Unidos y Canadá
	¡PELIGRO! A fin de reducir el riesgo de lesionarse, mantenga siempre las manos, los trapos, la ropa, etc. alejados de las partes móviles y de las virutas. No trate de remover las virutas mientras la cortadora esté girando. Las virutas son afiladas y pueden tirar de objetos hacia las partes móviles.

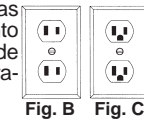
TIERRA

⚠ ADVERTENCIA Puede haber riesgo de descarga eléctrica si se conecta el cable de conexión de puesta a tierra incorrectamente. Consulte con un electricista certificado si tiene dudas respecto a la conexión de puesta a tierra del tomacorriente. No modifique el enchufe que se proporciona con la herramienta. Nunca retire la clavija de conexión de puesta a tierra del enchufe. No use la herramienta si el cable o el enchufe está dañado. Si está dañado antes de usarlo, llévelo a un centro de servicio **MILWAUKEE** para que lo reparen. Si el enchufe no se acopla al tomacorriente, haga que un electricista certificado instale un toma-corriente adecuado.

Herramientas con conexión a tierra: Herramientas con enchufes de tres clavijas
Las herramientas marcadas con la frase "Se requiere conexión de puesta a tierra" tienen un cable de tres hilos y enchufes de conexión de puesta a tierra de tres clavijas. El enchufe debe conectarse a un tomacorriente debidamente conectado a tierra (véase la Figura A). Si la herramienta se averiara o no funcionara correctamente, la conexión de puesta a tierra proporciona un trayecto de baja resistencia para desviar la corriente eléctrica de la trayectoria del usuario, reduciendo de este modo el riesgo de descarga eléctrica.
La clavija de conexión de puesta a tierra en el enchufe está conectada al sistema de conexión de puesta a tierra de la herramienta a través del hilo verde dentro del cable. El hilo verde debe ser el único hilo conectado al sistema de conexión de puesta a tierra de la herramienta y nunca se debe unir a una terminal energizada.
Su herramienta debe estar enchufada en un tomacorriente apropiado, correctamente instalado y conectado a tierra según todos los códigos y reglamentos. El enchufe y el tomacorriente deben asemejarse a los de la Figura A.



Herramientas con doble aislamiento: Herramientas con clavijas de dos patas
Las herramientas marcadas con "Doble aislamiento" no requieren conectarse "a tierra". Estas herramientas tienen un sistema aislante que satisface los estándares de OSHA y llena los estándares aplicables de UL (Underwriters Laboratories), de la Asociación Canadiense de Estándares (CSA) y el Código Nacional de Electricidad. Las herramientas con doble aislamiento pueden ser usadas en cualquiera de los toma corriente de 120 Volt mostrados en las Figuras B y C.



EXTENSIONES ELECTRICAS

Las herramientas que deben conectarse a tierra cuentan con clavijas de tres patas y requieren que las extensiones que se utilicen con ellas sean también de tres cables. Las herramientas con doble aislamiento y clavijas de dos patas pueden utilizarse indistintamente con extensiones de dos a tres cables. El calibre de la extensión depende de la distancia que exista entre la toma de la corriente y el sitio donde se utilice la herramienta. El uso de extensiones inadecuadas puede causar serias caídas en el voltaje, resultando en pérdida de potencia y posible daño a la herramienta. La tabla que aquí se ilustra sirve de guía para la adecuada selección de la extensión. Mientras menor sea el número del calibre del cable, mayor será la capacidad del mismo. Por ejemplo, un cable calibre 14 puede transportar una corriente mayor que un cable calibre 16. Cuando use mas de una extensión para lograr el largo deseado, asegúrese que cada una tenga al menos, el mínimo tamaño de cable requerido. Si está usando un cable de extensión para mas de una herramienta, sume los amperes de las varias placas y use la suma para determinar el tamaño mínimo del cable de extensión.

Guías para el uso de cables de extensión
• Si está usando un cable de extensión en sitios al aire libre, asegúrese que está marcado con el sufijo "W-A" ("W" en Canadá) el cual indica que puede ser usado al aire libre.
• Asegúrese que su cable de extensión está correctamente cableado y en buenas condiciones eléctricas. Cambie siempre una extensión dañada o hágalas reparar por una persona calificada antes de volver a usarla.
• Proteja su extensión eléctrica de objetos cortantes, calor excesivo o areas mojadas.

Amperios (En la placa)	Largo de cable de Extensión en (m)					
	7,6	12,2	22,8	30,4	45,7	60,9
0 - 5,0	16	16	16	14	12	12
5,1 - 8,0	16	16	14	12	10	--
8,1 - 12,0	14	14	12	10	--	--
12,1 - 15,0	12	12	10	10	--	--
15,1 - 20,0	10	10	10	--	--	--

* Basado en limitar la caída en el voltaje a 5 volts al 150% de los amperios.

LEA Y GUARDE TODAS LAS INSTRUCCIONES PARA FUTURAS REFERENCIAS.

ENSAMBLAJE

ADVERTENCIA A fin de reducir el riesgo de lesionarse, desenchufe siempre la herramienta antes de colocar o retirar accesorios, o de realizar ajustes. Utilice únicamente accesorios específicamente recomendados. El uso de accesorios no recomendados podría resultar peligroso.

Instalación de la empuñadura de alimentación

1. Para unir, alinee el yunque, presione el botón central y deslice la empuñadura en su lugar en el lado deseado de la herramienta.
2. Para retirar, presione el botón central y jale la empuñadura, separándola de la herramienta. No use una llave, tubo ni ninguna otra palanca en lugar de la empuñadura de alimentación.

Palanca de ajuste de motor

La palanca de ajuste del motor se usa para elevar y bajar el motor en el riel lateral. Siempre sostenga el motor firmemente antes de aflojar la palanca de ajuste.

OPERACION

ADVERTENCIA Para reducir el riesgo de lesiones, use siempre lentes de seguridad o anteojos con protectores laterales.



Operación típica

1. Revise la superficie de trabajo para asegurarse de que esté limpia y libre de materiales extraños. La pintura, el óxido, el sarro o las superficies desiguales disminuyen la fuerza de sujeción del imán. Las virutas, las rebabas, la suciedad y otros materiales extraños sobre la superficie de la base magnética también disminuirán la potencia de sujeción. Use una lima lisa y plana para mantener el imán limpio y libre de mellas. El taladro 4272-21 se adhiere a material ferroso a partir de 10 mm (3/8") de espesor, mientras que el 4274-21 se adhiere a material ferroso a partir de 6.35 mm (1/4") de espesor. No se use en material de menos de 6.35 mm (1/4"). La base magnética NO se adherirá a acero inoxidable de grados no magnéticos.
2. Para instalar/retirar la broca:
 - A. Desconecte la herramienta.
 - B. Levante el motor del taladro a su posición más alta en el riel lateral.
 - C. Gire el eje de cambio rápido. Inserte la broca en el eje y libere el cuello. Tire de la broca para asegurarse de que esté firme. La broca debe estar totalmente asentada en el husillo.
 - E. Revierta el procedimiento para quitar la broca.

NOTA: No quite la broca a menos que se retire la pieza de corte. La pieza de corte puede expulsarse inesperadamente. Evite el contacto con las puntas de la broca. Inspeccione periódicamente las puntas de la broca para detectar puntas flojas o dañadas.

NOTA: Si el cortador no se libera del eje cuando se gira el collar, use unas pinzas de presión para sujetar el cortador de arriba de las acanaladuras del cortador. Sujetando el collar firmemente con una mano, gire las pinzas en dirección de las manecillas del reloj para soltar el cortador del eje.


ADVERTENCIA Para disminuir el riesgo de lesiones, no sostenga la pieza de trabajo en la mano.

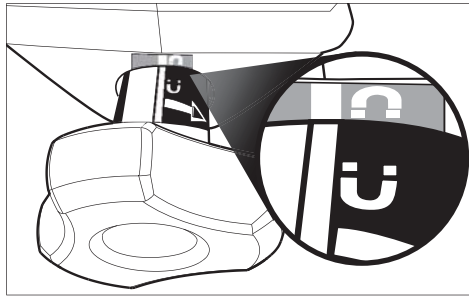
3. Seleccione alta velocidad  o baja velocidad , dependiendo de su aplicación.

ADVERTENCIA

- No utilice lubricante de corte en una superficie elevada o en posiciones que permitan que el lubricante entre al motor o a la caja del interruptor.
- Las conexiones en húmedo producen sacudidas eléctricas. Evite que el lubricante de corte se derrame por el cordón y entre el contacto con el receptáculo, las conexiones del cordón prolongador o el enchufe de la herramienta. Cada vez que se enchufe la herramienta, levante el cordón prolongador o acople las conexiones de la caja y prepare un desvío para el goteo. Si el enchufe o las conexiones se mojan, desconecte la energía del receptáculo antes de desenchufar la unidad.

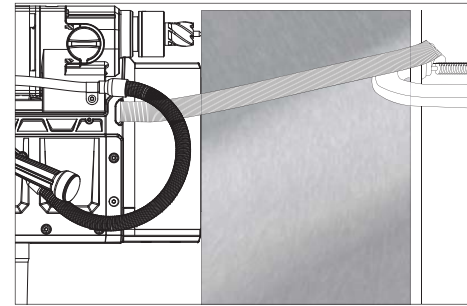


4. Para el 4272-21, posicione la herramienta de manera que la clavija central esté directamente sobre el lugar de corte deseado. Presione el interruptor de activación magnética para activar el imán. El taladro no funcionará a menos que el imán esté activado. Para el 4274-21, posicione la herramienta de manera que la clavija central esté directamente sobre el lugar de corte deseado. Gire la perilla del imán para activarlo. Los iconos del imán se alinearán . El taladro no funcionará a menos que el imán esté activado.



ADVERTENCIA Para reducir el riesgo de lesiones, siempre use una correa de seguridad en aplicaciones verticales, en alturas y en tuberías. El montaje puede soltarse.

5. Use una correa de seguridad en aplicaciones verticales, en alturas y en tuberías.
 - A. Enrute la correa de seguridad a través de las ranuras inferiores y enróllela firmemente alrededor de una estructura sólida y rígida. Asegúrese de que la correa no esté torcida.
 - B. Junte y presione entre sí los ganchos de presión de la correa de seguridad. Elimine cualquier holgura de la correa.
 - C. Al usar en una superficie vertical, asegure la correa de seguridad con una prensa G o un dispositivo similar. Esto mantendrá la correa en su lugar e impedirá que la herramienta se deslice hacia abajo por la superficie vertical. No la sujete a la correa. Esto puede dañar la correa y ocasionar que se rompa.



ADVERTENCIA No use fluido de corte en alturas o en otra posición que permita que el fluido de corte entre al motor o al alojamiento del interruptor.

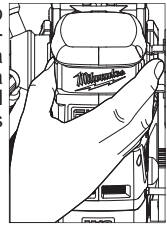
6. Conecte la herramienta a una fuente de alimentación.
7. Con el interruptor de encendido (I) / apagado (O) en la posición de apagado (O), coloque la manguera de hule sobre el conector del fluido de corte. Inyecte fluido de corte en la manguera de hule usando la bomba manual provista. Mantenga la bomba manual y la manguera alejadas de las partes móviles. Lubrique bien antes de empezar y durante la operación de corte según sea necesario. Si la lubricación no es adecuada, se ocasionarán daños a la broca. Se recomienda usar el fluido de corte HAWG WASH® para una larga vida de estas brocas. El operador es responsable de la aplicación de lubricantes que no sean el fluido de corte HAWG WASH®.

En aplicaciones en alturas o verticales, no use fluido de corte. Use únicamente pastas o aerosoles lubricantes recomendados para corte a alta velocidad. No permita que las pastas y aerosoles lubricantes se introduzcan a la herramienta.

ADVERTENCIA Para reducir el riesgo de lesiones, siempre mantenga las manos, los guantes, los trapos, la ropa, etc. alejados de las piezas en movimiento y las virutas. No intente remover las virutas mientras la broca esté girando. Las virutas son afiladas y pueden jalar objetos hacia las partes móviles.



8. Encienda el motor del taladro tirando del interruptor de encendido (I) / apagado (O) hacia afuera, por ambos lados, a la posición de encendido (I). El taladro no funcionará a menos que el imán esté activado.



ADVERTENCIA La fuerza excesiva en la empuñadura de alimentación soltará el imán.

9. Incluso las brocas largas requieren solo una pequeña cantidad de presión en la empuñadura de alimentación. Al introducir la broca en el material, aplique únicamente suficiente fuerza para producir una viruta enroscada. Aplicar muy poca fuerza ocasionará que se produzcan pequeñas virutas quebradas y aumentará el tiempo de corte. Aplicar demasiada fuerza ocasionará sobrecalentamiento de la broca, acortando la vida útil de la misma. El sobrecalentamiento de la broca puede observarse cuando la broca y las virutas se tornan color café o azul. La fuerza excesiva puede provocar que la broca baje de velocidad a un punto en que el tiempo de corte aumentará. El uso de lubricantes de corte reducirá el calor de corte y aumentará la vida de la broca. Utilice menos presión de alimentación al formar ranuras o muescas, puesto que hay menos soporte para los bordes de corte en estas situaciones.
10. Mantenga la presión constante durante toda la operación para impedir que las virutas y rebabas caigan debajo de los filos de corte. Los desechos de corte debajo de la broca pueden dificultar o imposibilitar el corte. Continúe lubricando según se requiera.
11. Al terminar el corte, retire la broca mientras el husillo sigue girando.
12. Detenga el motor del taladro oprimiendo el interruptor de encendido (I) / apagado (O).
13. Cuando el husillo haya dejado de girar, use unas pinzas para retirar los desechos y las virutas de corte de la broca y el husillo. Tenga cuidado de no dañar los dientes de la broca.

14. La chaveta central se carga mediante un mecanismo de muelle. Proporcione protección contra las piezas cortadas expulsadas para las personas u objetos que se encuentran debajo del taladro.
15. Sujete firmemente la herramienta para soltar el imán. Para el 4272-21, empuje el interruptor del imán para soltarlo. Para el 4274-21, gire la perilla del imán.
16. Al taladrar tubos con el 4274-21, use el accesorio adaptador para tubos 48-10-0130 y la correa de seguridad.

MANTENIMIENTO

⚠️ ADVERTENCIA Para reducir el riesgo de lesiones, desconecte siempre la herramienta antes de darle cualquier mantenimiento. Nunca desarme la herramienta ni trate de hacer modificaciones en el sistema eléctrico de la misma. Acuda siempre a un Centro de Servicio MILWAUKEE para TODAS las reparaciones.

Mantenimiento de las herramientas

Adopte un programa regular de mantenimiento y mantenga su herramienta en buenas condiciones. Antes de usarla, examine las condiciones generales de la misma. Inspeccione guardas, interruptores, el cable de la herramienta y el cable de extensión. Busque tornillos sueltos o flojos, defectos de alineación y dobleces en partes móviles, así como montajes inadecuados, partes rotas y cualquier otra condición que pueda afectar una operación segura. Si detecta ruidos o vibraciones anormales, apague la herramienta de inmediato y corrija el problema antes de volver a usarla. No utilice una herramienta dañada. Colóquela en una etiqueta que diga "NO DEBE USARSE" hasta que sea reparada (vea "Reparaciones").

Bajo condiciones normales, no se requiere lubricación hasta que haya que cambiar los carbones. Después de 6 meses a un año, dependiendo del uso dado, envíe su herramienta al Centro de Servicio MILWAUKEE más cercano para que le hagan:

- Lubricación
- Inspección y cambio de carbones
- Inspección mecánica y limpieza (engranes, flechas, baleros, carcarza, etc.)
- Inspección eléctrica (interruptor, cable, armadura, etc.)
- Probarla para asegurar una operación mecánica y eléctrica adecuada.

⚠️ ADVERTENCIA Para reducir el riesgo de lesiones, descarga eléctrica o daño a la herramienta, nunca la sumerja en líquidos ni permita que estos fluyan dentro de la misma.

Limpieza

Limpie el polvo y suciedad de las ventilas. Mantenga las empuñaduras de la herramienta limpias, secas y libres de aceite y grasa. Use sólo jabón neutro y un trapo húmedo para limpiar su herramienta ya que algunas sustancias y disolventes limpiadores pueden ocasionar daños a materiales plásticos y partes aislantes. Algunos de estos incluyen: gasolina, trementina, diluyente para barniz, diluyente para pintura, disolventes limpiadores clorados, amoníaco, y detergentes caseros que contengan amoníaco.

Reparaciones

Si su instrumento se daña, vuelva el instrumento entero al más cercano centro de reparaciones.

ACCESORIOS

⚠️ ADVERTENCIA Para reducir el riesgo de lesiones, siempre extraiga la batería antes de cambiar o retirar accesorios. Utilice únicamente accesorios específicamente recomendados para esta herramienta. El uso de accesorios no recomendados podría resultar peligroso.

Para una lista completa de accesorios, refiérase a su catálogo MILWAUKEE o visite nuestro sitio en Internet: www.milwaukeetool.com. Para obtener un catálogo, contacte su distribuidor local o uno de los centros de servicio.

GARANTÍA LIMITADA - E.U.A. Y CANADA

Se garantiza al comprador original que ninguna de las herramientas eléctricas MILWAUKEE (incluido el producto inalámbrico, la herramienta y las baterías; consulte las declaraciones distintas y por separado en GARANTÍA LIMITADA DEL PAQUETE DE BATERÍAS INALÁMBRICAS y de las luces de trabajo y del cargador de baterías*) presenten defectos en material ni en mano de obra. En un plazo de cinco (5) años* a partir de la fecha de compra y sujeto a ciertas excepciones, MILWAUKEE reparará o reemplazará cualquier parte de una herramienta eléctrica que, luego de ser examinada, MILWAUKEE compruebe que presenta defectos en material o mano de obra, a menos que se indique lo contrario. Se requiere la devolución de la herramienta eléctrica a un centro de mantenimiento de la fábrica MILWAUKEE o a un centro de reparaciones autorizado por MILWAUKEE, con gastos de envío prepagados y asegurados. La devolución del producto debe estar acompañada por un comprobante de compra. Esta garantía no se aplica a los daños que MILWAUKEE establece que fueron ocasionados por reparaciones o intentos de reparación por parte de personal no autorizado por MILWAUKEE, uso indebido, alteraciones, abuso, desgaste y deterioro normal, falta de mantenimiento o accidentes.

*El período de garantía de las radios para obras, del puerto de alimentación M12™, Fuente de poder M18™, Ventilador para obra y de las carretillas de trabajo industrial Trade Titan™ es de un (1) año a partir de la fecha de compra. El período de garantía de la lámpara de trabajo con diodo luminiscente y del foco mejorado con diodo luminiscente es una garantía VITALICIA limitada para el comprador original únicamente. Si durante el uso normal el foco de diodo luminiscente no funciona, la lámpara de trabajo o el foco mejorado se reemplazará sin carga.

*Esta garantía no cubre las clavadoras aéreas, las engrapadoras, el rociador de pintura inalámbrico, el paquete de baterías inalámbrico, los generadores eléctricos portátiles que funcionan con gasolina, herramientas manuales, elevadores (eléctricos, con palanca y con cadenas manuales), camisas de calefacción M12™, productos reacondicionados y productos de prueba y medición. Se encuentran disponibles garantías distintas para estos productos.

No se necesita registro de garantía para obtener la garantía correspondiente de un producto eléctrico MILWAUKEE. La fecha de fabricación del producto se utilizará para determinar el período de garantía si no se presenta un comprobante de compra en el momento en que se solicita el servicio de garantía.

LA ACEPTACIÓN DE LOS DERECHOS A REPARACIÓN Y REEMPLAZO EXCLUSIVAMENTE DESCRITOS EN EL PRESENTE DOCUMENTO CONSTITUYE UNA CONDICIÓN DEL CONTRATO POR LA COMPRA DE CADA PRODUCTO MILWAUKEE. SI NO ACEPTA ESTA CONDICIÓN, NO DEBE COMPRAR EL PRODUCTO. MILWAUKEE NO SERÁ EN NINGÚN CASO RESPONSABLE DE DAÑOS INCIDENTALES, ESPECIALES, CONSECUENTES O PUNITIVOS, NI DE COSTOS, HONORARIOS DE ABOGADOS, GASTOS, PERDIDAS O DEMORAS SUPUESTAMENTE CAUSADOS COMO CONSECUENCIA DE CUALQUIER DAÑO, FALLA O DEFECTO EN CUALQUIER PRODUCTO, INCLUIDOS, A MODO DE EJEMPLO, RECLAMOS POR PÉRDIDA DE GANANCIAS, ALGUNOS ESTADOS NO PERMITEN LA EXCLUSIÓN O LA LIMITACIÓN DE DAÑOS INCIDENTALES O CONSECUENTES, POR LO TANTO, LAS LIMITACIONES Y EXCLUSIONES ANTERIORES PUEDEN NO APLICARSE PARA USTED. ESTA GARANTÍA ES EXCLUSIVA Y SUSTITUYE A TODAS LAS OTRAS GARANTÍAS EXPRESAS, ESCRITAS U ORALES. SEGÚN LO PERMITA LA LEY, MILWAUKEE SE EXIME DE TODA GARANTÍA IMPLÍCITA, INCLUIDOS, A MODO DE EJEMPLO, TODA GARANTÍA IMPLÍCITA DE COMERCIABILIDAD O IDONEIDAD PARA UN USO O PROPÓSITO EN PARTICULAR; EN LA MEDIDA EN QUE DICHA RENUNCIA NO ESTÉ PERMITIDA POR LA LEY, DICHAS GARANTÍAS IMPLÍCITAS ESTÁN LIMITADAS A LA DURACIÓN DE LA GARANTÍA EXPRESA APLICABLE SEGÚN SE DESCRIBE ANTERIORMENTE. ALGUNOS ESTADOS NO PERMITEN LIMITACIONES EN LA DURACIÓN DE UNA GARANTÍA IMPLÍCITA. POR LO TANTO, LA LIMITACIÓN ANTERIOR PUEDE NO APLICARSE PARA USTED. ESTA GARANTÍA LE OTORGA DERECHOS LEGALES ESPECÍFICOS Y TAMBIÉN PUEDE TENER OTROS DERECHOS QUE VARIAN DE ESTADO EN ESTADO.

Esta garantía se aplica a los productos vendidos en los EE. UU. y Canadá.

Consulte "Service Center Search" (Búsqueda de centro de servicio) en la sección Parts & Services (Piezas y servicios) del sitio web MILWAUKEE, www.milwaukeetool.com o llame al 1.800.SAWDUST (1.800.729.3878) para encontrar su Centro de Servicio de la fábrica de MILWAUKEE más cercano.

PÓLIZA DE GARANTÍA - VALIDA SOLO PARA MÉXICO, AMÉRICA CENTRAL Y EL CARIBE

TECHTRONIC INDUSTRIES., garantiza por 5 años este producto a partir de la fecha original de compra. Esta garantía cubre cualquier defecto que presenten las piezas, componentes y la mano de obra contenidas en este producto Para América Central y el Caribe se debe confirmar en el Centro de Servicio Autorizado el plazo de la garantía. Para hacer efectiva la Garantía deberá presentar al Centro de Servicio Autorizado la Póliza de Garantía sellada por el establecimiento en donde adquirió el producto. Si no la tienen, podrá presentar el comprobante de compra original. Usted puede llamar sin costo al teléfono 01 800 030-7777 o por correo electrónico a la dirección servicio.tecnico@milwaukeetool.com, para ubicar el Centro de Servicio Autorizado más cercano a su domicilio, en el cual además podrá adquirir partes, componentes, consumibles y accesorios, que usted necesite.

Procedimiento para hacer válida la garantía

Acuda al Centro de Servicio con el producto y la póliza de garantía sellada por el establecimiento donde realizó la compra. Ahí se reemplazará cualquier pieza o componente defectuoso sin cargo alguno para el usuario final. La empresa se hace responsable de los gastos de transportación razonablemente erogados que se deriven del cumplimiento de la presente garantía.

Excepciones

La garantía perderá validez en los siguientes casos:

- a) Cuando el producto se hubiese utilizado en condiciones distintas a las normales.
 - b) Cuando el producto no hubiese sido operado de acuerdo con el instructivo de uso que le acompaña.
 - c) Cuando el producto hubiese sido alterado o reparado por personas no autorizadas por TECHTRONIC INDUSTRIES.
- Nota: Si el cordón de alimentación es dañado, este debe ser reemplazado por el fabricante o por un Centro de Servicio Autorizado para evitar riesgo.

Modelo: _____

Fecha de Compra: _____

Sello del Distribuidor: _____

ATENCIÓN A CLIENTES

Av Presidente Mazarik 29 Piso 7, 11560 Polanco V Seccion Miguel Hidalgo, Distrito Federal, Mexico
Tel. 52 (55) 4160-3540

IMPORTADO Y COMERCIALIZADO POR:
TECHTRONIC INDUSTRIES MEXICO, .S.A. DE C.V.
Av Presidente Mazarik 29 Piso 7, 11560 Polanco V Seccion Miguel Hidalgo, Distrito Federal, Mexico

**UNITED STATES
MILWAUKEE Service**

MILWAUKEE prides itself in producing a premium quality product that is NOTHING BUT HEAVY DUTY®. Your satisfaction with our products is very important to us! If you encounter any problems with the operation of this tool, or you would like to locate the *factory Service/Sales Support Branch* or *authorized service station* nearest you, please call...

Additionally, we have a nationwide network of *authorized* Distributors ready to assist you with your tool and accessory needs. Check your "Yellow Pages" phone directory under "Tools-Electric" for the names & addresses of those nearest you or see the 'Where To Buy' section of our website.

1-800-SAWDUST**(1.800.729.3878)**Monday-Friday
7:00 AM - 6:30 PM

Central Time

or visit our website at

www.milwaukeetool.com

For service information, use the 'Service Center Search' icon found in the 'Parts & Service' section.

**Contact our Corporate After Sales Service
Technical Support about ...**

- Technical Questions
- Service/Repair Questions
- Warranty

call: **1-800-SAWDUST**fax: **1.800.638.9582**email: **metproductsupport@milwaukeetool.com****Register your tool online at
www.milwaukeetool.com and...**

- receive important notifications regarding your purchase
- ensure that your tool is protected under the warranty
- become a HEAVY DUTY club member

CANADA - Service MILWAUKEE

MILWAUKEE prides itself in producing a premium quality product that is NOTHING BUT HEAVY DUTY®. Your satisfaction with our products is very important to us!

If you encounter any problems with the operation of this tool, or you would like to locate the *factory Service/Sales Support Branch* or *authorized service station* nearest you, please call...

1.800.268.4015

Monday – Friday 7:00 – 4:30 CST

fax: 866.285.9049

Milwaukee Electric Tool (Canada) Ltd140 Fernstaff Court, Unit 4 18129 111 Avenue NW
Vaughan, ON L4K 3L8 Edmonton, AB T5S 2P2

Additionally, we have a nationwide network of *authorized* Distributors ready to assist you with your tool and accessory needs. Call 1.800.268.4015 to find the names and addresses of the closest retailers or consult "Where to buy" on our Web site **www.milwaukeetool.com**

MILWAUKEE est fier de proposer un produit de première qualité NOTHING BUT HEAVY DUTY®. Votre satisfaction est ce qui compte le plus!

En cas de problèmes d'utilisation de l'outil ou pour localiser le centre de service/ventes ou le *centre d'entretien* le plus proche, appelez le...

1.800.268.4015

Lundi – Vendredi 7:00 – 4:30 CST

fax: 866.285.9049

Milwaukee Electric Tool (Canada) Ltd140 Fernstaff Court, Unit 4 18129 111 Avenue NW
Vaughan, ON L4K 3L8 Edmonton, AB T5S 2P2

Notre réseau national de distributeurs *agréés* se tient à votre disposition pour fournir l'aide technique, l'outillage et les accessoires nécessaires. Composez le 1.800.268.4015 pour obtenir les noms et adresses des revendeurs les plus proches ou bien consultez la section «Où acheter» sur notre site web à l'adresse **www.milwaukeetool.com**

MEXICO - Soporte de Servicio MILWAUKEE**CENTRO DE ATENCION A CLIENTES**Av. Presidente Masarik 29 Piso 7
CP. 11570. Col. Chapultepec Morales
Del. Miguel Hidalgo, Distrito Federal, México
01-800-8321949

Lunes a Viernes (9am a 6pm)

O contáctanos en **www.milwaukeetool.com.mx**

Para información de Centros de Servicio busca el icono "Servicio al cliente"- "Contáctanos"

Contacta nuestro servicio técnico para....

- Preguntas Técnicas
- Asesoría, servicio y reparación
- Garantía

Adicionalmente, tenemos una red nacional de distribuidores autorizados listos para ayudarle con su herramienta y sus accesorios. Por favor, llame al 01 800 8321949 para obtener los nombres y direcciones de los más cercanos a usted, o consulte la sección "Dónde Comprar" en nuestro sitio web **www.milwaukeetool.com.mx**

MILWAUKEE ELECTRIC TOOL CORPORATION

13135 West Lisbon Road • Brookfield, Wisconsin, U.S.A. 53005

58-14-4272d1

07/15

Printed in China
961011579-01(B)